



.....
U7 Family
.....

ST3120020A, ST380022A,
.....

ST360012A, ST340012A,
.....

ST330012A
.....

Ultra ATA Interface Drives
.....

Product Manual
.....

.....
U7 Family
.....

ST3120020A, ST380022A,
.....

ST360012A, ST340012A,
.....

ST330012A
.....

Ultra ATA Interface Drives
.....

Product Manual
.....

Barracuda® ATA

©2002, 2003 Seagate Technology LLC All rights reserved
Publication number: 100240404, Rev. D
January 2003

Seagate, Seagate Technology, and the Seagate logo are either registered trademarks or trademarks of Seagate Technology LLC. U7, DiscWizard, SeaFAX, SeaFONE, SeaShell, SeaShield, SeaTDD, and 3D Defense System are either registered trademarks or trademarks of Seagate Technology LLC. Other product names are registered trademarks or trademarks of their owners.

Seagate reserves the right to change, without notice, product offerings or specifications. No part of this publication may be reproduced in any form without written permission of Seagate Technology LLC.

Revision status summary sheet

Revision	Date	Writer/PLM	Sheets Affected
Rev. A	09/20/02	L. Newman/J. Singh	All.
Rev. B	10/15/02	L. Newman/J. Singh	Pages 5, 8, 10, 27, and 33.
Rev. C	12/18/02	L. Newman	Pages 4, 5, 7, 17, and 18.
Rev. D	01/24/03	L. Newman	Page 29.

Contents

1.0	Introduction	1
2.0	Drive specifications	3
2.1	Specification summary table	3
2.2	Formatted capacity	6
2.3	Default logical geometry	6
2.4	Physical organization	6
2.5	Recording and interface technology	7
2.6	Physical characteristics	7
2.7	Seek time	8
2.8	Start/stop times	8
2.9	Power specifications	8
2.9.1	Power consumption	9
2.9.2	Conducted noise	12
2.9.3	Voltage tolerance	12
2.9.4	Power-management modes	12
2.10	Environmental specifications	13
2.10.1	Ambient temperature	13
2.10.2	Temperature gradient	14
2.10.3	Humidity	14
2.10.4	Altitude	14
2.10.5	Shock	15
2.10.6	Vibration	15
2.11	Acoustics	16
2.12	Electromagnetic immunity	17
2.13	Reliability	17
2.14	Agency certification	18
2.14.1	Safety certification	18
2.14.2	Electromagnetic compatibility	18
2.14.3	FCC verification	19
3.0	Configuring and mounting the drive	21
3.1	Handling and static discharge precautions	21
3.2	Jumper settings	22
3.2.1	Master/slave configuration	22
3.2.2	Cable-select option	22
3.2.3	Alternate capacity jumper	23
3.2.4	Ultra ATA/100 cable	23
3.3	Drive mounting	24

4.0	ATA interface	25
4.1	ATA interface signals and connector pins	25
4.1.1	Supported ATA commands	27
4.1.2	Identify Device command	28
4.1.3	Set Features command	33
4.1.4	S.M.A.R.T. commands	34
5.0	Seagate Technology support services	35

List of Figures

Figure 1.	Typical 5V startup and operation current profile	11
Figure 2.	Typical 12V startup and operation current profile	11
Figure 3.	Master/slave jumper settings	22
Figure 4.	Ultra ATA cable connectors	23
Figure 5.	Mounting dimensions—top, side and end view.	24
Figure 6.	I/O pins and supported ATA signals	26

1.0 Introduction

This manual describes the functional, mechanical and interface specifications for Seagate® U7 ST3120020A, ST380022A, ST360012A, ST340012A, and ST330012A model drives. These drives provide the following key features:

- 5,400-RPM performance class speed and 2-Mbyte buffer combine for superior desktop performance.
- High instantaneous (burst) data transfer rates (up to 100 Mbytes per second) using Ultra DMA mode 5.
- Giant magnetoresistive (GMR) recording heads and EPRML technology, which provide the drives with increased areal density.
- State-of-the-art cache and on-the-fly error-correction algorithms.
- Full-track multiple-sector transfer capability without local processor intervention.
- Quiet operation.
- 350 Gs nonoperating shock.
- The innovative, shock-absorbing SeaShield® cover protects the drive against electrostatic discharge (ESD) and other handling damage. It also includes installation instructions and jumper settings.
- SeaTools diagnostic software performs a drive self-test that eliminates unnecessary drive returns.
- The 3D Defense System™, which includes Drive Defense, Data Defense, and Diagnostic Defense, offers the industry's most comprehensive protection for disc drives.
- Support for S.M.A.R.T. drive monitoring and reporting.
- Support for Read Multiple and Write Multiple commands.
- Support for autodetection of master/slave drives that use cable select (CSEL).

2.0 Drive specifications

Unless otherwise noted, all specifications are measured under ambient conditions, at 25°C, and nominal power. For convenience, the phrases *the drive* and *this drive* are used throughout this manual to indicate ST3120020A, ST380022A, ST360012A, ST340012A and ST330012A model drives.

2.1 Specification summary table

The specifications listed in this table are for quick reference. For details on specification measurement or definition, see the appropriate section of this manual.

Drive specification	ST3120020A	ST380022A	ST360012A	ST340012A	ST330012A
Formatted Gbytes (512 bytes/sector)	120	80	60	40	30
Guaranteed sectors	234,441,648	156,301,488	117,231,408	78,165,360	58,633,344
Bytes per sector	512				
Default sectors per track	63				
Default read/write heads	16				
Default cylinders	16,383				
Physical read/write heads	4	3	2	2	1
Discs	2	2	1	1	1
Recording density BPI (bits/inch max)	542,000				
Track density TPI (tracks/inch max)	78,000				
Areal density (Mbits/inch ² max)	42,200				
Performance level	5,400 RPM Class				
Max. Internal transfer rate (Mbits/sec)	570				
Sustained transfer rate (Mbytes/sec)	27 to 44				
I/O data transfer rate (Mbytes/sec max)	100				

Drive specification	ST3120020A	ST380022A	ST360012A	ST340012A	ST330012A
ATA data-transfer modes supported	PIO modes 0–4 Multiword DMA modes 0–2 Ultra DMA modes 0–5				
Cache buffer	1 Mbyte (1,024 kbytes)				
Height (mm max)	26.1				
Width (mm max)	101.85				
Length (mm max)	147.0				
Weight (typical)	635 grams (1.4 lb)				
Average latency (msec)	4.16				
Power-on to ready (sec typical)	10 sec				
Standby to ready (sec typical)	10 sec				
Startup current (typical) 12V (peak)	2.8 amps				
Track-to-track seek time (msec typical)	1.0 (read), 1.2 (write)				
Average seek time (msec typical)	9.4				9.0
Average seek, read (msec typical)	9.4				9.0
Average seek, write (msec typical)	10.5				10.0
Seek power (typical)	13 watts				
Read/write power (typical)	12 watts				
Idle mode (typical)	9.5 watts				
Standby mode	0.7 watts (typical), 0.75 watts (max)				
Sleep mode	0.7 watts (typical), 0.75 watts (max)				
Voltage tolerance (including noise)	5V ± 5% 12V ± 10%				

Drive specification	ST3120020A	ST380022A	ST360012A	ST340012A	ST330012A
Ambient temperature	0° to 60°C (operating) -40° to 70°C (nonoperating)				
Temperature gradient (°C per hour max)	20°C (operating) 30°C (nonoperating)				
Relative humidity	5% to 90% (operating) 5% to 95% (nonoperating)				
Relative humidity gradient	30% per hour max				
Wet bulb temperature (°C max)	30 (operating) 40 (nonoperating)				
Altitude, operating	-198.12 m to 3,048 m (-650 ft to 10,000+ ft)				
Altitude, nonoperating (below mean sea level, max)	-198.12 m to 12,192 m (-650 ft to 40,000+ ft)				
Shock, operating (Gs max at 2 msec)	63				
Shock, nonoperating (Gs max at 2 msec)	350 Gs				
Vibration, operating	0.50 Gs (0 to peak, 22-350 Hz)				
Vibration, nonoperating	5.0 Gs (0 to peak, 22-350 Hz)				
Drive acoustics	(two discs)		(one disc)		
Sound power (bels)					
Idle*	2.8 (typical), 3.0 (max)		2.1 (typical), <2.5 (max)		
Quiet seek	2.8 (typical), 3.0 (max)		2.4 (typical), 2.8 (max)		
Performance seek	3.3 (typical), 3.6 (max)		3.0 (typical), 3.4 (max)		
Nonrecoverable read errors	1 per 10 ¹⁴ bits read				
Mean time between failures (power-on hours)	600,000				
Contact start-stop cycles (25°C, 40% relative humidity)	50,000				
Service Life	5 Years				
SeaShield	Yes				

*During periods of drive idle, some offline activity may occur according to the S.M.A.R.T. specification, which may increase acoustic and power to operational levels.

2.2 Formatted capacity

Model	Formatted capacity	Guaranteed sectors	Bytes per sector
ST3120020A	120 Gbytes	234,441,648	512
ST380022A	80 Gbytes	156,301,488	512
ST360012A	60 Gbytes	117,231,408	512
ST340012A	40 Gbytes	78,165,360	512
ST330012A	30 Gbytes	58,633,344	512

2.3 Default logical geometry

Cylinders	Read/write heads	Sectors per track
16,383	16	63

LBA mode

When addressing these drives in LBA mode, all blocks (sectors) are consecutively numbered from 0 to $n-1$, where n is the number of guaranteed sectors as defined above.

2.4 Physical organization

Model	Read/write heads	Number of discs
ST3120020A	4	2
ST380022A	3	2
ST360012A	2	1
ST340012A	2	1
ST330012A	1	1

2.5 Recording and interface technology

Interface	ATA
Recording method	16/17 EPRML
Recording density BPI (bits/inch max)	542,000
Track density TPI (tracks/inch max)	78,000
Areal density (Mbits/inch ² max)	42,200
Performance level	5,400 RPM class
Max. Internal transfer rate (Mbits/sec)	570
Sustained transfer rate (Mbytes/sec)	27 to 44
I/O data transfer rate (Mbytes/sec max)	16.6 (PIO mode 4) 100 (Ultra DMA mode 5)
Interleave	1:1
Cache buffer	1 Mbyte (1,024 kbytes)

2.6 Physical characteristics

Drive specification	ST3120020A ST380022A	ST360012A ST340012A ST330012A
Maximum height (mm) (inches)	26.1 1.028	26.1 1.028
Maximum width (mm) (inches)	101.85 4.01	101.85 4.01
Maximum length (mm) (inches)	147.0 5.787	147.0 5.787
Typical weight (grams) (pounds)	635 1.40	635 1.40

2.7 Seek time

Seek measurements are taken with nominal power at 25°C ambient temperature. All times are measured using drive diagnostics. The specifications in the table below are defined as follows:

- Track-to-track seek time is an average of all possible single-track seeks in both directions.
- Average seek time is a true statistical random average of at least 5,000 measurements of seeks between random tracks, less overhead.

Typical seek times (msec)	Read	Write
Track-to-track	1.0	1.2
Average 2 discs	9.4	10.5
1 disc	9.0	10.0
Average latency:	4.16	4.16

Note. These drives are designed to consistently meet the seek times represented in this manual. Physical seeks, regardless of mode (such as track-to-track and average), are expected to meet the noted values. However, due to the manner in which these drives are formatted, benchmark tests that include command overhead or measure logical seeks may produce results that vary from these specifications.

2.8 Start/stop times

Power-on to Ready (sec)	10 (max)
Standby to Ready (sec)	10 (max)
Ready to spindle stop (sec)	10 (max)

2.9 Power specifications

The drive receives DC power (+5V or +12V) through a four-pin standard drive power connector.

2.9.1 Power consumption

Power requirements for the drives are listed in the table on page 10. Typical power measurements are based on an average of drives tested, under nominal conditions, using 5.0V and 12.0V input voltage at 25°C ambient temperature.

- Spinup power

Spinup power is measured from the time of power-on to the time that the drive spindle reaches operating speed.

- Seek mode

During seek mode, the read/write actuator arm moves toward a specific position on the disc surface and does not execute a read or write operation. Servo electronics are active. Seek mode power represents the worst-case power consumption, using only random seeks with read or write latency time. This mode is not typical and is provided for worst-case information.

- Read/write power and current

Read/write power is measured with the heads on track, based on a 16-sector write followed by a 32-msec delay, then a 16-sector read followed by a 32-msec delay.

- Operating power and current

Operating power is measured using 40 percent random seeks, 40 percent read/write mode (1 write for each 10 reads) and 20 percent drive idle mode.

- Idle mode power

Idle mode power is measured with the drive up to speed, with servo electronics active and with the heads in a random track location.

- **Standby mode**

During Standby mode, the drive accepts commands, but the drive is not spinning, and the servo and read/write electronics are in power-down mode.

Power dissipation (watts, ST3120020A, 2-disc)	Average (watts, 25° C)	5V typ amps	12V typ amps
Spinup	—	—	2.8 (peak)
Idle	7.5	0.525	0.407
Idle* (with offline activity)	9.5	0.844	0.439
Operating 40% r/w. 40% seek, 20% inop.	12	0.634	0.74
Seeking	13	0.511	0.871
Standby	0.7	0.116	0.01
Sleep	0.7	0.116	0.01

*During periods of drive idle, some offline activity may occur according to the S.M.A.R.T. specification, which may increase acoustic and power to operational levels.

2.9.1.1 Typical current profile

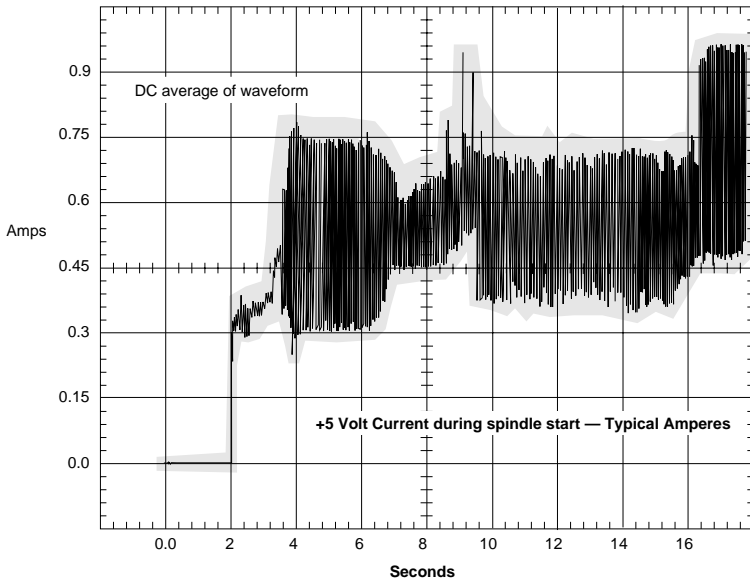


Figure 1. Typical 5V startup and operation current profile

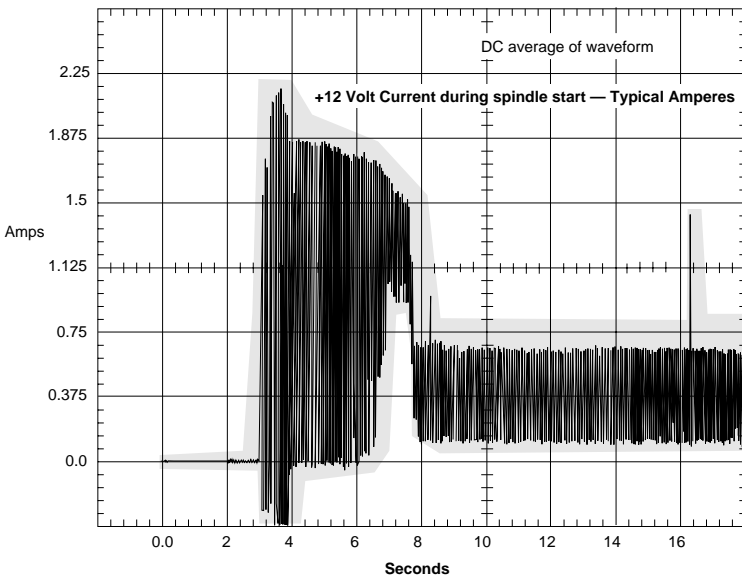


Figure 2. Typical 12V startup and operation current profile

2.9.2 Conducted noise

Input noise ripple is measured at the host system power supply across an equivalent 80-ohm resistive load on the +12 volt line or an equivalent 15-ohm resistive load on the +5 volt line.

- Using 12-volt power, the drive is expected to operate with a maximum of 120 mV peak-to-peak square-wave injected noise at up to 10 MHz.
- Using 5-volt power, the drive is expected to operate with a maximum of 100 mV peak-to-peak square-wave injected noise at up to 10 MHz.

Note. Equivalent resistance is calculated by dividing the nominal voltage by the typical RMS read/write current.

2.9.3 Voltage tolerance

Voltage tolerance (including noise):

5V \pm 5%

12V \pm 10%

2.9.4 Power-management modes

The drive provides programmable power management to provide greater energy efficiency. In most systems, you can control power management through the system setup program. The drive features the following power-management modes:

Power modes	Heads	Spindle	Buffer
Active	Tracking	Rotating	Enabled
Idle	Tracking	Rotating	Enabled
Standby	Parked	Stopped	Enabled
Sleep	Parked	Stopped	Disabled

- Active mode

The drive is in Active mode during the read/write and seek operations.

- Idle mode

The buffer remains enabled, and the drive accepts all commands and returns to Active mode any time disc access is necessary.

- Standby mode

The drive enters Standby mode when the host sends a Standby Immediate command. If the host has set the standby timer, the drive can also enter

Standby mode automatically after the drive has been inactive for a specifiable length of time. The standby timer delay is established using a Standby or Idle command. In Standby mode, the drive buffer is enabled, the heads are parked and the spindle is at rest. The drive accepts all commands and returns to Active mode any time disc access is necessary.

- Sleep mode

The drive enters Sleep mode after receiving a Sleep command from the host. In Sleep mode, the drive buffer is disabled, the heads are parked and the spindle is at rest. The drive leaves Sleep mode after it receives a Hard Reset or Soft Reset from the host. After receiving a reset, the drive exits Sleep mode and enters Standby mode with all current translation parameters intact.

- Idle and Standby timers

Each time the drive performs an Active function (read, write or seek), the standby timer is reinitialized and begins counting down from its specified delay times to zero. If the standby timer reaches zero before any drive activity is required, the drive makes a transition to Standby mode. In both Idle and Standby mode, the drive accepts all commands and returns to Active mode when disc access is necessary.

2.10 Environmental specifications

2.10.1 Ambient temperature

Ambient temperature is defined as the temperature of the environment immediately surrounding the drive. Actual drive case temperature should not exceed 69°C (156°F) within the operating ambient conditions.

Above 1,000 feet (305 meters), the maximum temperature is derated linearly to 112°F (44°C) at 10,000 feet (3,048 meters).

Operating: 0° to 60°C (32° to 140°F)

Nonoperating: -40° to 70°C (-40° to 158°F)

2.10.2 Temperature gradient

Operating: 20°C per hour (68°F per hour max), without condensation

Nonoperating: 30°C per hour (86°F per hour max)

2.10.3 Humidity

2.10.3.1 Relative humidity

Operating: 5% to 90% noncondensing (30% per hour max)

Nonoperating: 5% to 95% noncondensing (30% per hour max)

2.10.3.2 Wet bulb temperature

Operating: 30°C (86°F max)

Nonoperating: 40.0°C (104°F max)

2.10.4 Altitude

Operating: -198.12 m to 3,048 m (-650 ft to 10,000+ ft)

Nonoperating: -198.12 m to 12,192 m (-650 ft to 40,000+ ft)

2.10.5 Shock

All shock specifications assume that the drive is mounted securely with the input shock applied at the drive mounting screws. Shock may be applied in the X, Y or Z axis.

2.10.5.1 Operating shock

These drives comply with the performance levels specified in this document when subjected to a maximum operating shock of 63 Gs based on half-sine shock pulses of 2 msec. Shocks should not be repeated more than two times per second.

2.10.5.2 Nonoperating shock

The nonoperating shock level that the drive can experience without incurring physical damage or degradation in performance when subsequently put into operation is 350 Gs based on a nonrepetitive half-sine shock pulse of 2 msec duration.

2.10.6 Vibration

All vibration specifications assume that the drive is mounted securely with the input vibration applied at the drive mounting screws. Vibration may be applied in the X, Y or Z axis.

2.10.6.1 Operating vibration

The following table lists the maximum vibration levels that the drive may experience while meeting the performance standards specified in this document.

5–22 Hz	0.25-inch displacement (zero to peak)
22–350 Hz	0.50 Gs acceleration (zero to peak)

2.10.6.2 Nonoperating vibration

The following table lists the maximum nonoperating vibration that the drive may experience without incurring physical damage or degradation in performance when subsequently put into operation.

5–22 Hz	1.0-inch displacement (zero to peak)
22–350 Hz	5.0 Gs acceleration (zero to peak)

2.11 Acoustics

Drive acoustics are measured as overall A-weighted acoustic sound power levels (no pure tones). All measurements are consistent with ISO document 7779. Sound power measurements are taken under essentially free-field conditions over a reflecting plane. For all tests, the drive is oriented with the cover facing upward.

Note. For seek mode tests, the drive is placed in seek mode only. The number of seeks per second is defined by the following equation:

$$(\text{Number of seeks per second} = 0.4 / (\text{average latency} + \text{average access time}))$$

Table 1: Fluid Dynamic Bearing (FDB) motor acoustics

Models	Acoustic mode		
	Idle*	Quiet seek	Performance seek
ST3120020A and ST380022A	2.8 bels (typ) 3.0 bels (max)	2.8 bels (typ) 3.0 bels (max)	3.3 bels (typ) 3.6 bels (max)
ST360012A, ST340012A, and ST330012A	2.1 bels (typ) <2.5 bels (max)	2.4 bels (typ) 2.8 bels (max)	3.0 bels (typ) 3.4 bels (max)

*During periods of drive idle, some offline activity may occur according to the S.M.A.R.T. specification, which may increase acoustic and power to operational levels.

2.12 Electromagnetic immunity

When properly installed in a representative host system, the drive operates without errors or degradation in performance when subjected to the radio frequency (RF) environments defined in the following table:

Test	Description	Performance level	Reference standard
Electrostatic discharge	Contact, HCP, VCP: ± 4 kV; Air: ± 8 kV	B	EN 61000-4-2: 95
Radiated RF immunity	80 to 1,000 MHz, 3 V/m, 80% AM with 1 kHz sine 900 MHz, 3 V/m, 50% pulse modulation @ 200 Hz	A	EN 61000-4-3: 96 ENV 50204: 95
Electrical fast transient	± 1 kV on AC mains, ± 0.5 kV on external I/O	B	EN 61000-4-4: 95
Surge immunity	± 1 kV differential, ± 2 kV common, AC mains	B	EN 61000-4-5: 95
Conducted RF immunity	150 kHz to 80 MHz, 3 Vrms, 80% AM with 1 kHz sine	A	EN 61000-4-6: 97
Voltage dips, interrupts	0% open, 5 seconds 0% short, 5 seconds 40%, 0.10 seconds 70%, 0.01 seconds	C C C B	EN 61000-4-11: 94

2.13 Reliability

Nonrecoverable read errors	1 per 10^{14} bits read, max.
Mean time between failures	600,000 power-on hours (nominal power, 25°C ambient temperature)
Service life	The drive shall have a useful service life of five years
Contact start-stop cycles	50,000 cycles (at nominal voltage and temperature, with 60 cycles per hour and a 50% duty cycle)
Preventive maintenance	None required

2.14 Agency certification

2.14.1 Safety certification

The drives are recognized in accordance with UL 1950 and CSA C22.2 (950) and meet all applicable sections of IEC950 and EN 60950 as tested by TUV North America.

2.14.2 Electromagnetic compatibility

Hard drives that display the CE mark comply with the European Union (EU) requirements specified in the Electromagnetic Compatibility Directive (89/336/EEC). Testing is performed to the levels specified by the product standards for Information Technology Equipment (ITE). Emission levels are defined by EN 55022, Class B and the immunity levels are defined by EN 55024.

Seagate uses an independent laboratory to confirm compliance with the EC directives specified in the previous paragraph. Drives are tested in representative end-user systems. Although CE-marked Seagate drives comply with the directives when used in the test systems, we cannot guarantee that all systems will comply with the directives. The drive is designed for operation inside a properly designed enclosure, with properly shielded I/O cable (if necessary) and terminators on all unused I/O ports. Computer manufacturers and system integrators should confirm EMC compliance and provide CE marking for their products.

Korean RRL

If these drives have the Korea Ministry of Information and Communication (MIC) logo, they comply with paragraph 1 of Article 11 of the Electromagnetic Compatibility control Regulation and meet the Electromagnetic Compatibility (EMC) Framework requirements of the Radio Research Laboratory (RRL) Ministry of Information and Communication Republic of Korea.

These drives have been tested and comply with the Electromagnetic Interference/Electromagnetic Susceptibility (EMI/EMS) for Class B products. Drives are tested in a representative, end-user system by a Korean-recognized lab.

- EUT name (model numbers): ST3120020A, ST380022A, ST360012A, ST340012A, and ST330012A
- Certificate numbers:

ST3120020A	E-H011-02-3758 (B)
ST380022A	E-H011-02-3757 (B)
ST360012A	E-H011-02-3753 (B)
ST340012A	E-H011-02-3754 (B)
ST330012A	E-H011-02-3755 (B)
- Trade name or applicant: Seagate Technology
- Manufacturer/nationality: Singapore and China

Australian C-Tick (N176)

If these models have the C-Tick marking, they comply with the Australia/New Zealand Standard AS/NZS3548 1995 and meet the Electromagnetic Compatibility (EMC) Framework requirements of the Australian Communication Authority (ACA).

2.14.3 FCC verification

These drives are intended to be contained solely within a personal computer or similar enclosure (not attached as an external device). As such, each drive is considered to be a subassembly even when it is individually marketed to the customer. As a subassembly, no Federal Communications Commission verification or certification of the device is required.

Seagate Technology LLC has tested this device in enclosures as described above to ensure that the total assembly (enclosure, disc drive, motherboard, power supply, etc.) does comply with the limits for a Class B computing device, pursuant to Subpart J, Part 15 of the FCC rules. Operation with noncertified assemblies is likely to result in interference to radio and television reception.

Radio and television interference. This equipment generates and uses radio frequency energy and if not installed and used in strict accordance with the manufacturer's instructions, may cause interference to radio and television reception.

This equipment is designed to provide reasonable protection against such interference in a residential installation. However, there is no guarantee that interference will not occur in a particular installation. If this equipment does cause interference to radio or television, which can be determined by turning the equipment on and off, you are encouraged to try one or more of the following corrective measures:

- Reorient the receiving antenna.
- Move the device to one side or the other of the radio or TV.
- Move the device farther away from the radio or TV.
- Plug the computer into a different outlet so that the receiver and computer are on different branch outlets.

If necessary, you should consult your dealer or an experienced radio/television technician for additional suggestions. You may find helpful the following booklet prepared by the Federal Communications Commission: *How to Identify and Resolve Radio-Television Interference Problems*. This booklet is available from the Superintendent of Documents, U.S. Government Printing Office, Washington, DC 20402. Refer to publication number 004-000-00345-4.

3.0 Configuring and mounting the drive

This section contains the specifications and instructions for configuring and mounting the drive.

3.1 Handling and static discharge precautions

After unpacking, and before installation, the drive may be exposed to potential handling and electrostatic discharge (ESD) hazards. Observe the following standard handling and static-discharge precautions:

Caution:

- The SeaShell™ replaces electrostatic discharge (ESD) bags. The SeaShell package is a shock-ribbed, transparent clamshell enclosure that limits a drive's exposure to ESD and also protects against external shocks and stresses. The design permits attaching cables, software loading and label/barcode scanning without removing the drive from the SeaShell. This minimizes handling damage. Keep the drive in the SeaShell package until you are ready for installation.
- The drive has a cover called SeaShield. Do not remove this permanent cover—it protects the drive from electrostatic discharge (ESD) and minor impact damage. Removing the SeaShield voids the warranty.
- Before handling the drive, put on a grounded wrist strap, or ground yourself frequently by touching the metal chassis of a computer that is plugged into a grounded outlet. Wear a grounded wrist strap throughout the entire installation procedure.
- Handle the drive by its edges or frame *only*.
- The drive is extremely fragile—handle it with care. Do not press down on the drive top cover.
- Always rest the drive on a padded, antistatic surface until you mount it in the computer.
- Do not touch the connector pins or the printed circuit board.
- Do not remove the factory-installed labels from the drive or cover them with additional labels. Removal voids the warranty. Some factory-installed labels contain information needed to service the drive. Other labels are used to seal out dirt and contamination.

3.2 Jumper settings

3.2.1 Master/slave configuration

The options jumper block shown in Figure 3 is used to configure the drive for operation. It is the 8-pin dual header between the interface connector and the power connector. Use the following settings to configure the drive as a master or a slave.

Master or single drive. The drive is configured at the factory for a master or single-drive operation with a jumper set on pins 7 and 8.

Drive as slave. Remove all jumpers.

Drive as master with a non-ATA-compatible slave.

Use this jumper setting *only* if the drive does not work as a master with no jumpers installed.

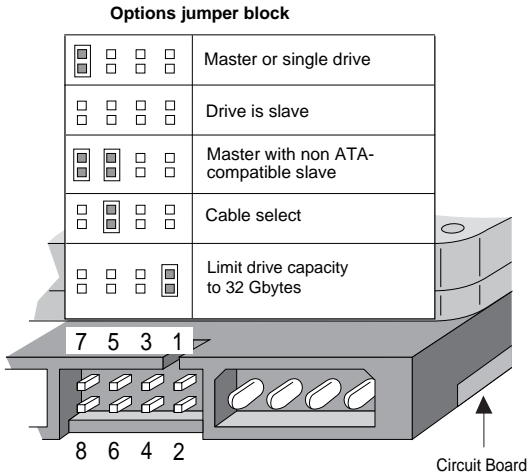


Figure 3. Master/slave jumper settings

3.2.2 Cable-select option

Computers that use cable select determine the master and slave drives by selecting or deselecting pin 28, CSEL, on the interface bus. Master and slave drives are determined by their physical position on the cable. To enable cable select, set a jumper on pins 5 and 6 as shown in Figure 3. Refer to your computer manual to determine whether your computer supports this option.

3.2.3 Alternate capacity jumper

Some older computers may “hang” at startup if their BIOS detects a disc drive with a capacity greater than 32 Gbytes. This limits the drive’s capacity to 32 Gbytes when the alternate capacity jumper is used. To access the full capacity of the drive, you can:

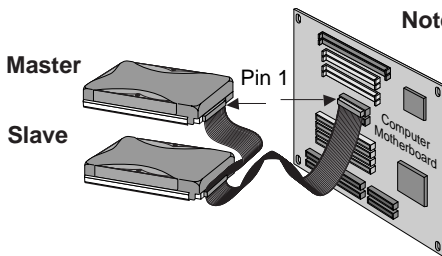
- Update the BIOS
- Use third-party software such as DiscWizard™ or Disk Manager
- Use a third-party host adapter

For drives with capacities greater than 32 Gbytes, the alternate capacity jumper changes the total available LBA sectors to 32 Gbytes to solve issues with some BIOS during power on. The ATA Set Features subcommand “F1_H Report Full Capacity Available” causes Identify Data words 60 and 61 to report the full capacity. See Section 4.1.3 on page 33 for more details on the Set Features command.

Windows XP, Windows Me, Windows 98 or newer versions are needed to support drives with capacities greater than 32 Gbytes.

3.2.4 Ultra ATA/100 cable

An 80-conductor 40-pin cable is required to run Ultra DMA mode 3, mode 4 and mode 5. This cable uses even-numbered conductors connected to the ground pins to improve signal integrity.



Note. If you are using a 40-pin 80-conductor cable, attach the *blue* connector to the motherboard, the *black* connector to the master drive, and the *grey* connector to the slave.

Figure 4. Ultra ATA cable connectors

Note. The drive supports both host and drive cable detection. The host detects the 80-conductor cable by sampling pin 34, CBLID₋, on the interface bus. The drive detects the 80-conductor cable by sensing a capacitor at the host side through the CBLID₋ signal. The result is reported in a Fast Rise Detected bit (bit 13 of word 93 in the Identify drive parameter block).

3.3 Drive mounting

You can mount the drive in any orientation using four screws in the side-mounting holes or four screws in the bottom-mounting holes. See Figure 5 for drive mounting dimensions. Follow these important mounting precautions when mounting the drive:

- Allow a minimum clearance of 0.030 inches (0.76 mm) around the entire perimeter of the drive for cooling.
- Use only 6-32 UNC mounting screws.
- Use only .045" +/- .005 high by .050" diameter bosses (4x) for bottom mounting applications to prevent deformation of the SeaShield.
- Do not overtighten the mounting screws (maximum torque: 6 inch-lb).
- Do not use a drive interface cable that is more than 18 inches long.

Notes:

1. Dimensions are shown in inches (mm).
2. Dimensions per SFF-8301 specification.
3. Dimension measured from bottom of SeaShield.

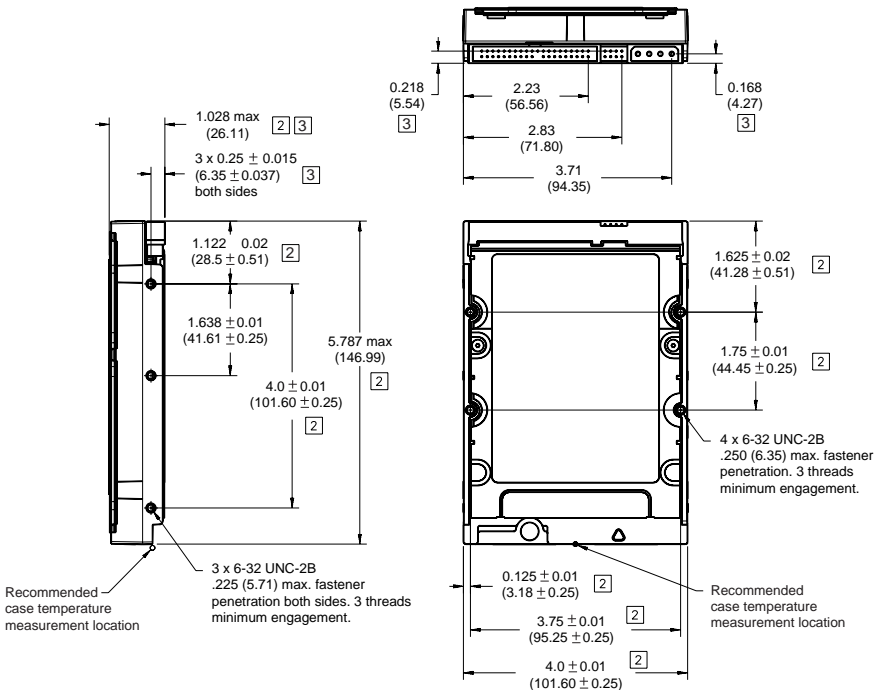


Figure 5. Mounting dimensions—top, side and end view

4.0 ATA interface

These drives use the industry-standard ATA task file interface that supports 16-bit data transfers. It supports ATA programmed input/output (PIO) modes 0–4; multiword DMA modes 0–2, and Ultra DMA modes 0–5. The drive also supports the use of the IORDY signal to provide reliable high-speed data transfers.

You can use a daisy-chain cable to connect two drives to a single AT host bus. For detailed information about the ATA interface, refer to the draft of *AT Attachment with Packet Interface Extension (ATA/ATAPI-5)*, *NCITS T13 1153D*, subsequently referred to as the *Draft ATA-5 Standard*.

4.1 ATA interface signals and connector pins

Figure 6 on page 26 summarizes the signals on the ATA interface connector that the drive supports. For a detailed description of these signals, refer to the *Draft ATA-5 Standard*.

Drive pin #	Signal name	Host pin # and signal description
1	Reset	1 Hardware Reset
2	Ground	2 Ground
3	DD7	3 Host Data Bus Bit 7
4	DD8	4 Host Data Bus Bit 8
5	DD6	5 Host Data Bus Bit 6
6	DD9	6 Host Data Bus Bit 9
7	DD5	7 Host Data Bus Bit 5
8	DD10	8 Host Data Bus Bit 10
9	DD4	9 Host Data Bus Bit 4
10	DD11	10 Host Data Bus Bit 11
11	DD3	11 Host Data Bus Bit 3
12	DD12	12 Host Data Bus Bit 12
13	DD2	13 Host Data Bus Bit 2
14	DD13	14 Host Data Bus Bit 13
15	DD1	15 Host Data Bus Bit 1
16	DD14	16 Host Data Bus Bit 14
17	DD0	17 Host Data Bus Bit 0
18	DD15	18 Device Data (15:0)
19	Ground	19 Ground
20	(removed)	20 (No Pin)
21	DMARQ	21 DMA Request
22	Ground	22 Ground
23	DLOW	23 Device I/O Write: Stop Ultra DMA Burst
24	Ground	24 Ground
25	DIOR	25 Device I/O Read: Host Ultra DMA Ready: Host Ultra DMA Data Strobe
26	Ground	26 Ground
27	IORDY	27 I/O Channel Ready Device Ultra DMA Ready Device Ultra DMA Data Strobe
28	CSEL	28 Cable Select
29	DMACK	29 DMA Acknowledge
30	Ground	30 Ground
31	INTRQ	31 Device Interrupt
32	IOCS16	32 Reserved
33	DA1	33 Host Address Bus Bit 1
34	PDIAG	34 Passed Diagnostics
	CBLID	Cable Assembly Type Identifier
35	DA0	35 Device Address (2:0)
36	DA2	36 Device Address (2:0)
37	CS0	37 Chip Select (1:0)
38	CS1	38 Chip Select (1:0)
39	DASP	39 Drive Active/Slave Present
40	Ground	40 Ground

Pins 28, 34 and 39 are used for master-slave communication (details shown below).

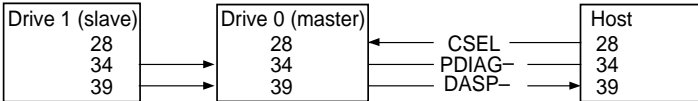


Figure 6. I/O pins and supported ATA signals

4.1.1 Supported ATA commands

The following table lists ATA-standard commands that the drive supports. For a detailed description of the ATA commands, refer to the *Draft ATA-5 Standard*. See “S.M.A.R.T. commands” on page 34 for details and subcommands used in the S.M.A.R.T. implementation.

Command name	Command code (in hex)
ATA-standard commands	
Download Microcode	92 _H
Execute Device Diagnostics	90 _H
Flush Cache	E7 _H
Identify Device	EC _H
Initialize Device Parameters	91 _H
Read Buffer	E4 _H
Read DMA	C8 _H , C9 _H
Read Multiple	C4 _H
Read Native Max Address	F8 _H
Read Sectors	20 _H , 21 _H
Read Verify Sectors	40 _H , 41 _H
Seek	70 _H
Set Features	EF _H
Set Max Note: Individual Set Max commands are identified by the value placed in the Set Max Features Register as defined to the right.	F9 _H Address: 00 _H Password: 01 _H Lock: 02 _H Unlock: 03 _H
Freeze Lock	04 _H
Set Multiple Mode	C6 _H
S.M.A.R.T.	B0 _H

Command name	Command code (in hex)
Write Buffer	E8 _H
Write DMA	CA _H , CB _H
Write Multiple	C5 _H
Write Sectors	30 _H , 31 _H
ATA-standard power-management commands	
Check Power Mode	98 _H or E5 _H
Idle	97 _H or E3 _H
Idle Immediate	95 _H or E1 _H
Sleep	99 _H or E6 _H
Standby	96 _H or E2 _H
Standby Immediate	94 _H or E0 _H
ATA-standard security commands	
Security Set Password	F1 _H
Security Unlock	F2 _H
Security Erase Prepare	F3 _H
Security Erase Unit	F4 _H
Security Freeze Lock	F5 _H
Security Disable Password	F6 _H

4.1.2 Identify Device command

The Identify Device command (command code EC_H) transfers information about the drive to the host following power up. The data is organized as a single 512-byte block of data, whose contents are shown in the table on page 27. All reserved bits or words should be set to zero. Parameters listed with an “x” are drive-specific or vary with the state of the drive. See Section 2.0 on page 3 for default parameter settings.

The following commands contain drive-specific features that may not be included in the *Draft ATA-5 Standard*.

Word	Description	Value
0	Configuration information: <ul style="list-style-type: none"> • Bit 15: 0 = ATA; 1 = ATAPI • Bit 7: removable media • Bit 6: removable controller • Bit 0: reserved 	0C5A _H
1	Number of logical cylinders	16,383
2	ATA-reserved	0000 _H
3	Number of logical heads	16
4	Retired	0000 _H
5	Retired	0000 _H
6	Number of logical sectors per logical track: 63	003F _H
7–9	Retired	0000 _H
10–19	Serial number: (20 ASCII characters, 0000 _H = none)	ASCII
20	Retired	0000 _H
21	Retired	0400 _H
22	Obsolete	0000 _H
23–26	Firmware revision (8 ASCII character string, padded with blanks to end of string)	x.xx
27–46	Drive model number: (40 ASCII characters, padded with blanks to end of string)	ST3120020A ST380022A ST360012A ST340012A ST330012A
47	(Bits 7–0) Maximum sectors per interrupt on Read multiple and Write multiple (16)	8010 _H
48	Reserved	0000 _H
49	Standard Standby timer, IORDY supported and may be disabled	2F00 _H
50	ATA-reserved	0000 _H
51	PIO data-transfer cycle timing mode	0200 _H

Word	Description	Value
52	Retired	0200 _H
53	Words 54–58, 64–70 and 88 are valid	0007 _H
54	Number of current logical cylinders	xxxx _H
55	Number of current logical heads	xxxx _H
56	Number of current logical sectors per logical track	xxxx _H
57–58	Current capacity in sectors	xxxx _H
59	Number of sectors transferred during a Read Multiple or Write Multiple command	xxxx _H
60–61	Total number of user-addressable LBA sectors available (see Section 2.2 for related information)	ST3120020A = 234,441,648 ST380022A = 156,301,488 ST360012A = 117,231,408 ST340012A = 78,165,360 ST330012A = 58,633,344
62	Retired	0000 _H
63	Multiword DMA active and modes supported (see note following this table)	xx07 _H
64	Advanced PIO modes supported (modes 3 and 4 supported)	0003 _H
65	Minimum multiword DMA transfer cycle time per word (120 nsec)	0078 _H
66	Recommended multiword DMA transfer cycle time per word (120 nsec)	0078 _H
67	Minimum PIO cycle time without IORDY flow control (240 nsec)	00F0 _H
68	Minimum PIO cycle time with IORDY flow control (120 nsec)	0078 _H
69–74	ATA-reserved	0000 _H
75	Queue depth	0000 _H
76–79	ATA-reserved	0000 _H
80	Major version number	003E _H
81	Minor version number	0000 _H

Word	Description	Value
82	Command sets supported	306B _H
83	Command sets supported	4001 _H
84	Command sets support extension	4000 _H
85	Command sets enabled	30xx _H
86	Command sets enabled	0001 _H
87	Command sets enable extension	4000 _H
88	Ultra DMA support and current mode (see note following this table)	xx3F _H
89	Security erase time	0000 _H
90	Enhanced security erase time	0000 _H
91	Advanced power management value	0040 _H
92	Master password revision code	FFFE _H
93	Hardware reset value (see description following this table)	xxxx _H
94	Auto acoustic management setting	xxxx _H
95–127	ATA-reserved	0000 _H
128	Security status	0001 _H
129–159	Seagate-reserved	xxxx _H
160–254	ATA-reserved	0000 _H
255	Integrity word	xxA5 _H

Note. See the bit descriptions below for words 63, 88, 93 and 94 of the Identify Drive data:

Description (if bit is set to 1)

Bit	Word 63
0	Multiword DMA mode 0 is supported.
1	Multiword DMA mode 1 is supported.
2	Multiword DMA mode 2 is supported.
8	Multiword DMA mode 0 is currently active.
9	Multiword DMA mode 1 is currently active.
10	Multiword DMA mode 2 is currently active.

Bit	Word 88
0	Ultra DMA mode 0 is supported.
1	Ultra DMA mode 1 is supported.
2	Ultra DMA mode 2 is supported.
3	Ultra DMA mode 3 is supported.
4	Ultra DMA mode 4 is supported.
8	Ultra DMA mode 0 is currently active.
9	Ultra DMA mode 1 is currently active.
10	Ultra DMA mode 2 is currently active.
11	Ultra DMA mode 3 is currently active.
12	Ultra DMA mode 4 is currently active.
13	Ultra DMA mode 5 is currently active.

Bit	Word 93
13	1 = 80-conductor cable detected, CBLID above V_{IH} 0 = 40-conductor cable detected, CBLID below V_{IL}

Bit	Word 94
0–7	Current AAM setting
8–15	AAM Power on default

4.1.3 Set Features command

This command controls the implementation of various features that the drive supports. When the drive receives this command, it sets BSY, checks the contents of the Features register, clears BSY and generates an interrupt. If the value in the register does not represent a feature that the drive supports, the command is aborted. Power-on default has the read look-ahead and write caching features enabled. The acceptable values for the Features register are defined as follows:

02 _H	Enable write cache (<i>default</i>).
03 _H	Set transfer mode (based on Sector Count register value).
00 _H	Set PIO mode to default (PIO mode 2).
01 _H	Set PIO mode to default and disable IORDY (PIO mode 2).
08 _H	PIO mode 0
09 _H	PIO mode 1
0A _H	PIO mode 2
0B _H	PIO mode 3
0C _H	PIO mode 4 (<i>default</i>)
20 _H	Multiword DMA mode 0
21 _H	Multiword DMA mode 1
22 _H	Multiword DMA mode 2
40 _H	Ultra DMA mode 0
41 _H	Ultra DMA mode 1
42 _H	Ultra DMA mode 2
43 _H	Ultra DMA mode 3
44 _H	Ultra DMA mode 4
45 _H	Ultra DMA mode 5
05 _H	Enable advanced power management.
42 _H	Auto acoustic management (based on section count register value).
FE _H	Performance seek
80 _H	Quiet acoustic seek
55 _H	Disable read look-ahead (read cache) feature.
82 _H	Disable write cache.
AA _H	Enable read look-ahead (read cache) feature (<i>default</i>).
F1 _H	Report full capacity available.

Note. At power-on, or after a hardware or software reset, the default values of the features are as indicated above.

4.1.4 S.M.A.R.T. commands

S.M.A.R.T. provides near-term failure prediction for disc drives. When S.M.A.R.T. is enabled, the drive monitors predetermined drive attributes that are susceptible to degradation over time. If self-monitoring determines that a failure is likely, S.M.A.R.T. makes a status report available to the host. Not all failures are predictable. S.M.A.R.T. predictability is limited to the attributes the drive can monitor. For more information on S.M.A.R.T. commands and implementation, see the *Draft ATA-5 Standard*.

SeaTools diagnostic software activates a built-in drive self-test (DST S.M.A.R.T. command for D4_H) that eliminates unnecessary drive returns. The diagnostic software ships with all new drives and is also available at: <http://seatools.seagate.com>.

This drive is shipped with S.M.A.R.T. features disabled. You must have a recent BIOS or software package that supports S.M.A.R.T. to enable this feature. The table below shows the S.M.A.R.T. command codes that the drive uses.

Code in features register	S.M.A.R.T. command
D0 _H	S.M.A.R.T. Read Data
D1 _H	Vendor-specific
D2 _H	S.M.A.R.T. Enable/Disable Attribute Autosave
D3 _H	S.M.A.R.T. Save Attribute Values
D4 _H	S.M.A.R.T. Execute Off-line Immediate (runs DST)
D5 _H	S.M.A.R.T. Read Log Sector
D6 _H	S.M.A.R.T. Write Log Sector
D7 _H	Vendor-specific
D8 _H	S.M.A.R.T. Enable Operations
D9 _H	S.M.A.R.T. Disable Operations
DA _H	S.M.A.R.T. Return Status

Note. If an appropriate code is not written to the Features Register, the command is aborted and 0x04 (abort) is written to the Error register.

5.0 Seagate Technology support services

Online Services

Internet

www.seagate.com for information about Seagate products and services. Worldwide support is available 24 hours daily by e-mail for your disc or tape questions.

Presales Support:

Disc: www.seagate.com/support/email/email_presales.html or
DiscPresales@Seagate.com

Tape: www.seagate.com/support/email/email_tape_presales.html or
Tape_Sales_Support@Seagate.com

Technical Support:

Disc: www.seagate.com/support/email/email_disc_support.html or
DiscSupport@Seagate.com

Tape: www.seagate.com/support/email/email_tape_support.html or
TapeSupport@Seagate.com

Reseller Marketplace

Reseller Marketplace is the storage industry's first collaborative, e-commerce marketplace offering resellers the fastest, most efficient online purchasing process for Seagate storage solutions. The Reseller Marketplace at marketplace.seagate.com, an exclusive service for US resellers participating in the Seagate Partner Program (SPP), is designed to streamline the purchasing process of Seagate solutions and provide unprecedented value to Seagate resellers through real-time pricing and availability, fast and easy comparison shopping, and seamless integration with key distributors for a one-stop shopping experience.

For support, questions and comments: reseller.seagate.com/benefits/T1.html or 1-877-271-3285 (toll-free) 9 A.M. to 7 P.M. (eastern time) Monday through Friday.

Tape Purchases

US customers can purchase Seagate data cartridges, tape supplies, accessories, and select Seagate tape drive products 24 hours daily at buytape.seagate.com.

Automated Services

SeaFONE® (1-800-SEAGATE) is the Seagate toll-free number (1-800-732-4283) to access our automated self-help services. Using a touch-tone phone, you can find answers to service phone numbers, commonly asked questions, troubleshooting tips and specifications for disc drives and tape drives 24

hours daily. International callers can reach this service by dialing +1-405-936-1234.

SeaFAX® (1-800-SEAGATE) is the Seagate automated FAX delivery system. Using a touch-tone phone, you can obtain technical support information by return FAX 24 hours daily.

Presales Support

Presales Support

Our Presales Support staff can help you determine which Seagate products are best suited for your specific application or computer system.

Technical Support

If you need help installing your drive, consult your dealer. Dealers are familiar with their unique system configurations and can help you with system conflicts and other technical issues. If you need additional help, you can talk to a Seagate technical support specialist. Before calling, note your system configuration and drive model number (ST#####).

SeaTDD™ (+1-405-936-1687) is a telecommunications device for the deaf (TDD). You can send questions or comments 24 hours daily and exchange messages with a technical support specialist from 8:00 A.M. to 11:45 A.M. and 1:00 P.M. to 6:00 P.M. (central time) Monday through Friday.

Customer Service (CSO)

Warranty Service

Seagate offers worldwide customer support for Seagate drives. Seagate direct OEM, Distribution and System Integrator customers should contact their Seagate service center representative for warranty information. Other customers should contact their place of purchase.

Authorized Service Centers

If you live outside the US, you can contact an Authorized Service Center for service.

USA/Canada/Latin America Support Services

Presales Support

Call Center	Toll-free	Direct dial	FAX
<i>Disc:</i>	1-877-271-3285	+405-936-1210	+1-405-936-1683
<i>Tape:</i>	1-800-626-6637	+1-714-641-2500	+1-714-641-2410

Technical Support (SeaFONE)

1-800-SEAGATE or +1-405-936-1234 (for specific product phone number)

FAX: *Disc:* +1-405-936-1685; *Tape and Server Appliance:* +1-405-936-1683

SeaFAX	1-800-SEAGATE
SeaTDD	+1-405-936-1687

Warranty Service

Call Center	Toll-free	Direct dial	FAX / Internet
USA, Mexico and Latin America	1-800-468-3472	+1-405-936-1456	+1-405-936-1462
Canada			
<i>Memofix</i> ¹	1-800-636-6349	+1-905-660-4936	+1-905-660-4951 www.memofix.com
<i>Adtech</i> *	1-800-624-9857	+1-905-890-3099	+1-905-812-3977 www.adtech1.com
Brazil			
<i>MA Centro de Serviçoes</i> *	—	+55-21-2509-7267	+55-21-2507-6672 e-mail: centro.de.servicos.brasil@seagate.com

European Support Services

For European customer support, dial the toll-free number for your specific country for presales support, technical support, SeaFAX and warranty service.

If your country is not listed here, dial our European call center at +31-20-316-7222 from 8:30 A.M. to 5:00 P.M. (European central time) Monday through Friday. The European call center is located in Amsterdam, The Netherlands.

Call Center

Austria	0 800-20 12 90
Belgium	0 800-74 876
Denmark	80 88 12 66
France	0 800-90 90 52
Germany	0 800-182 6831

¹Authorized Service Centers

Ireland	1 800-55 21 22
Italy	800-790695
Netherlands	0 800-732 4283
Norway	800-113 91
Poland	00 800-311 12 38
Spain	900-98 31 24
Sweden	0 207 90 073
Switzerland	0 800-83 84 11
Turkey	00 800-31 92 91 40
United Kingdom	0 800-783 5177

FAX Services—All European Countries

Presales/Technical Support/Warranty Service 31-20-653-3513

Africa/Middle East Support Services

For presales, technical support, warranty service and FAX services in Africa and the Middle East, dial our European call center at +31-20-316-7222 from 8:30 A.M. to 5:00 P.M. (European central time) Monday through Friday, or send a FAX to +31-20-653-3513. The European call center is located in Amsterdam, The Netherlands.

Asia/Pacific Support Services

For Asia/Pacific presales and technical support, dial the toll-free number for your specific country. The Asia/Pacific toll-free numbers are available from 6:00 A.M. to 10:45 A.M. and 12:00 P.M. to 6:00 P.M. (Australian eastern time) Monday through Friday. If your country is not listed here, direct dial one of our technical support locations.

Call Center	Toll-free	Direct dial	FAX
Australia	1800-14-7201	—	—
China	—	—	+86-10-6871-4316
Hong Kong	800-90-0474	—	+852-2368 7173
India ¹	1-600-33-1104	—	—
Indonesia	001-803-1-003-2165	—	—
Japan	—	—	+81-3-5462-2978
Malaysia	1-800-80-2335	—	—
New Zealand	0800-443988	—	—
Singapore	800-1101-150	—	+65-6488-7525
Taiwan	—	+886-2-2514-2237	+886-2-2715-2923
Thailand	001-800-11-0032165	—	—

¹Authorized Service Center

Warranty Service

Call Center

Asia/Pacific

Australia

Toll-free

—

1800-12-9277

Direct dial

+65-6485-3595

—

FAX

+65-6485-4860

—

Index

Numerics

3D Defense System 1

A

acoustics 16
Active mode 12
adio frequency (RF) 17
agency certification (regulatory) 18
alternate capacity jumper 23
altitude 14
ambient conditions 3
ambient temperature 8, 13
areal density 1, 7
ATA interface 25
ATA-standard commands 27
Australian C-Tick 19
autodetection 1
average seek time 8

B

BIOS 23
BPI 7
buffer 1, 7
burst 1

C

cable 23
cable select 1
cable-select option 22
cache 1, 7
case temperature 13
CE mark 18
certification 18
Check Power Mode 28
commands 27
compliance 18
conducted noise 12
conducted RF immunity 17

configuring the drive 21
connector pins 25
connectors 23
contact start-stop cycles 17
CSA C22.2 (950) 18
CSEL 22
C-Tick 19
current profile 11
cycles 17

D

Data Defense 1
data-transfer rates 1
DC power 8
density 7
Diagnostic Defense 1
diagnostic software 1, 34
discs 6
DiscWizard 23
Disk Manager 23
dissipation 10
Download Microcode 27
Drive Defense 1
drive diagnostics 8
drive monitoring 1
drive self-test 1, 34
DST 34

E

electrical fast transient 17
electromagnetic compatibility 18
Electromagnetic Compatibility Direc-
tive 18
electromagnetic immunity 17
electrostatic discharge 17
electrostatic discharge (ESD) 1
EMC compliance 18
EN 60950 18
enclosures 19
environmental specifications 13
EPRML 1, 7
error-correction algorithms 1

errors 17
European Union 18
Execute Device Diagnostics 27

F

failure prediction 34
FCC verification 19
Features register 33
Flush Cache 27
formatted capacity 6
frequency 17

G

GMR 1
guaranteed sectors 6

H

handling 21
heads 1, 6
height 7
humidity 14

I

I/O data-transfer rate 7
Identify Device 27
Identify Device command 28
Idle 10, 28
Idle and Standby timers 13
Idle Immediate 28
Idle mode 12
Idle mode power 9
IEC950 18
Information Technology Equipment 18
Initialize Device Parameters 27
interface 7, 25
interface signals 25
interference 19
interleave 7
internal data-transfer rate OD 7
ISO document 7779 16

J

jumper settings 22

K

Korean RRL 18

L

LBA mode 6
length 7
logical geometry 6

M

maintenance 17
master 22
master/slave 1
Master/slave configuration 22
maximum temperature 13
Mean time between failures (MTBF) 17
modes 25
monitoring 1
mounting the drive 21, 24

N

noise 12
nominal power 3
nonoperating shock 15
nonoperating vibration 15
nonrecoverable read errors 17

O

operating 10
operating power and current 9
operating shock 15
operating vibration 15
orientation 24

P

- physical characteristics 7
- physical organization 6
- pins 25
- PIO 25
- power consumption 9
- power dissipation 10
- power management 12
- power specifications 8
- power-management commands 28
- power-management modes 12
- Power-on to Ready 8
- precautions 24
- preventive maintenance 17
- programmable power management 12

R

- radiated RF immunity 17
- radio and television interference 19
- random track location 9
- Read Buffer 27
- Read DMA 27
- read errors 17
- Read Multiple 1, 27
- Read Sectors 27
- Read Verify Sectors 27
- read/write heads 6
- read/write power and current 9
- recording and interface technology 7
- recording density 7
- recording heads 1
- recording method 7
- register 33
- relative humidity 14
- reliability 17
- resistance 12
- resistive load 12
- RF 17

S

- S.M.A.R.T. 27
- S.M.A.R.T. commands 34
- S.M.A.R.T. drive monitoring 1
- safety certification 18
- screws 24
- SeaShell 21
- SeaShield 1, 21
- SeaTools 1, 34
- sectors 6
- security commands 28
- Security Disable Password 28
- Security Erase Prepare 28
- Security Erase Unit 28
- Security Freeze Lock 28
- Security Set Password 28
- Security Unlock 28
- Seek 27
- seek mode 9
- seek time 8
- Seeking 10
- servo electronics 9
- Set Features 27
- Set Features command 33
- Set Multiple Mode 27
- shock 15
- signals 25
- single-track seeks 8
- slave 22
- Sleep 10, 28
- Sleep mode 13
- sound 16
- specifications 3
- Spinup 10
- spinup power 9
- Standby 10, 28
- Standby Immediate 28
- Standby mode 9, 12
- Standby to Ready 8
- start/stop times 8
- start-stop cycles 17
- static-discharge precautions 21

stop times 8
subassembly 19
support services 35
surge immunity 17

T

technical support services 35
temperature 13
temperature gradient 14
timers 13
track density 7
track-to-track seek time 8
TUV North America 18

U

UL 1950 18
Ultra ATA/100 23
Ultra DMA 23

V

vibration 15
voltage 12
voltage dips, interrupts 17
voltage tolerance 12

W

weight 7
wet bulb temperature 14
width 7
Write Buffer 28
Write DMA 28
Write Multiple 1, 28
Write Sectors 28



Seagate Technology LLC

920 Disc Drive, Scotts Valley, California 95066-4544, USA

Publication Number: 100240404, Rev. D, Printed in USA