

Maxtor[®]

Maxtor Fireball3

November 21 2003

Part Number: 000001836



© November 21 2003 Maxtor Corporation. All rights reserved. Printed in U.S.A.

This publication could include technical inaccuracies or typographical errors. Changes are periodically made to the information herein – which will be incorporated in revised editions of the publication. Maxtor may make changes or improvements in the product(s) described in this publication at any time and without notice.

Maxtor®, MaxFax® are registered trademarks of Maxtor Corporation, registered in the U.S.A. and other countries. Maxtor Fireball3, AutoTransfer, AutoRead, AutoWrite, DisCache, DiskWare, Defect Free Interface, and WriteCache are trademarks of Maxtor Corporation. All other brand names or trademarks are the property of their manufacturers.

Maxtor reserves the right to make changes and improvements to its products, without incurring any obligation to incorporate such changes or improvements into units previously sold or shipped.

This product or document is protected by copyright and distributed under licences restricting its use, copying, distributing, and decompilation. No part of this product or document may be reproduced in any form by any means without prior written authorization of Maxtor and its licensors, if any.

RESTRICTED RIGHTS LEGEND: Use, duplication, or disclosure by the government is subject to restrictions as set forth in subparagraphs (c)(1)(ii) of the Rights in Technical Data and Computer Software clause at DFARS 252.227-7013 and FAR 52.227-19.

THIS PUBLICATION IS PROVIDED “AS IS” WITHOUT WARRANTY OF ANY KIND, EITHER EXPRESS OR IMPLIED, INCLUDING, BUT NOT LIMITED TO, THE IMPLIED WARRANTIES OF MERCHANTABILITY, FITNESS FOR A PARTICULAR PURPOSE, OR NON-INFRINGEMENT.

You can download Maxtor publications directly from www.maxtor.com

Part Number: 000001836

Before You Begin

Thank you for your interest in Maxtor hard disk drives. This manual provides technical information for OEM engineers and systems integrators regarding the installation and use of Maxtor hard drives. Drive repair should be performed only at an authorized repair center. For repair information, contact the Maxtor Product Support Center at 1-800-2MAXTOR.

CAUTION: Maxtor hard drives are precision products. Failure to follow these precautions and guidelines outlined here may lead to product failure, damage and invalidation of all warranties.

- 1 **BEFORE** unpacking or handling a drive, take all proper electrostatic discharge (ESD) precautions, including personnel and equipment grounding. Stand-alone drives are sensitive to Electrostatic discharge (ESD) damage.
- 2 **BEFORE** removing drives from their packing material, allow them to reach room temperature.
- 3 During handling, **NEVER** drop, jar, or bump a drive.
- 4 Once a drive is removed from the Maxtor shipping container, **IMMEDIATELY** secure the drive through its mounting holes within a chassis. Otherwise, store the drive on a padded, grounded, antistatic surface.
- 5 **NEVER** switch DC power onto the drive by plugging an electrically live DC source cable into the drive's connector. **NEVER** connect a live bus to the drive's interface connector.
- 6 **ELECTRICAL GROUNDING** - For proper operation, the drive must be securely fastened to a device bay that provides a suitable electrical ground to the drive baseplate.

Please do not remove or cover up Maxtor factory-installed drive labels. They contain information required should the drive ever need repair.

Thank you for your interest in Maxtor hard disk drives. This manual provides technical information for OEM engineers and systems integrators regarding the installation and use of Maxtor hard drives. Drive repair should be performed only at an authorized repair center. For repair information, contact the Maxtor Customer Service Center at 800-2MAXTOR or 1-303-678-2015

Corporate Headquarters:

500 McCarthy Blvd.

Milpitas, California 95035

Tel: 408-894-5000

Fax: 408-362-4740

Table of Contents

Chapter 1

INTRODUCTION

1.1 Maxtor Corporation	1-1
1.2 Manual Organization	1-1
1.3 Abbreviations	1-2
1.4 Conventions	1-2

Chapter 2

PRODUCT DESCRIPTION

2.1 Product Description	2-1
2.2 Key Features	2-1
2.3 Product Features	2-2
2.4 Cache Management	2-4
2.5 Major HDA Components	2-4
2.6 Subsystem Configuration	2-6
2.7 Cylinder Limitation Jumper Description	2-7

Chapter 3

PRODUCT SPECIFICATIONS

3.1 Models and Capacities	3-1
3.2 Drive Configuration	3-1
3.3 Performance Specifications	3-2
3.4 Physical Dimensions	3-2
3.5 Power Requirements	3-4
3.6 Power Mode Definitions	3-4
3.7 EPA Energy Star Compliance	3-4
3.8 Environmental Limits	3-5
3.9 Shock and Vibration	3-6
3.10 Reliability Specifications	3-7
3.11 EMC/EMI	3-8
3.11.1 Radiated Electromagnetic Field Emissions - EMC Compliance	3-8
3.11.2 Canadian Emissions Statement	3-8
3.12 Safety Regulatory Compliance	3-8

Chapter 4

HANDLING AND INSTALLATION

4.1	Hard Drive Handling Precautions	4-1
4.2	Electro-Static Discharge (ESD)	4-2
4.3	Unpacking and Inspection	4-3
4.4	Repacking	4-6
4.5	Physical Installation	4-6

Chapter 5

ATA BUS INTERFACE AND ATA COMMANDS

5.1	INTRODUCTION	6-1
5.2	MECHANICAL INTERFACE	6-1
5.2.1	Signal Cable and Connector	6-1
5.3	ELECTRICAL INTERFACE	6-1
5.3.1	ATA Bus Interface	6-1
5.4	REGISTER ADDRESS DECODING	6-2
5.5	COMMAND INTERFACE	6-2
5.5.1	General Feature Set	6-2
5.5.2	Supported Commands	6-2

Chapter 6

SERVICE AND SUPPORT

6.1	Service Policy	6-1
-----	----------------------	-----

List of Figures

Figure 2-1 PCBA Jumper Location and Configuration 2-6
Figure 3-1 Outline and Mounting Dimensions 3-3
Figure 4-1 Single-Pack Shipping Container 4-2
Figure 4-2 25-Pack Shipping Container 4-3

Chapter 1

INTRODUCTION

1.1 Maxtor Corporation

Maxtor Corporation has been providing high-quality computer storage products since 1982. Along the way, we've seen many changes in data storage needs. Not long ago, only a handful of specific users needed more than a couple hundred megabytes of storage. Today, downloading from the Internet and CD-ROMs, multimedia, networking and advanced office applications are driving storage needs even higher. Even home PC applications need capacities measured in gigabytes, not megabytes.

Support

Maxtor provides a variety of customer support options, all designed to make sure the user gets fast, helpful, accurate information to help resolve any difficulties. These options include a broad searchable knowledge base of FAQ's, product manuals, installation guides, information on previously resolved problems, software downloads, and contact by phone or E-mail with a support person. For more information, visit

www.maxtor.com/en/support

1.2 Manual Organization

This hard disk drive reference manual is organized in the following method:

- Chapter 1–Introduction
- Chapter 2–Product Description
- Chapter 3–Product Specifications
- Chapter 4–Handling and Installation
- Chapter 5–ATA Bus Interface and ATA Commands
- Chapter 6–Service and Support
- Glossary
- Index

1.3 Abbreviations

<i>Abbreviation</i>	<i>Description</i>	<i>Abbreviation</i>	<i>Description</i>
ATA	AT attachment	MB	megabyte
bpi	bits per inch	Mbits/sec	megabits per second
CHS	cylinder - head - sector	MB/sec	megabytes per second
DA	Double Amplitude (represents pk-pk shaker displacement)		
db	decibels	MHz	megahertz
dBA	decibels, A weighted	ms	millisecond
DMA	direct memory access	MSB	most significant bit
ECC	error correction code	mV	millivolts
fci	flux changes per inch	ns	nanoseconds
G	acceleration	PIO	programmed input/output
GB	gigabyte	RPM	revolutions per minute
Hz	hertz	tpi	tracks per inch
KB	kilobyte	UDMA	ultra direct memory access
LBA	logical block address(ing)	μ sec	microsecond
LSB	least significant bit	V	volts
mA	milliamperes	W	watts

1.4 Conventions

If there is a conflict between text and tables, the table shall be accepted as being correct.

Key Words

The names of abbreviations, commands, fields and acronyms used as signal names are in all uppercase type (e.g., IDENTIFY DRIVE). Fields containing only one bit are usually referred to as the “name” bit instead of the “name” field.

Names of drive registers begin with a capital letter (e.g., Cylinder High register).

Numbering

Numbers that are **not** followed by a lowercase “b” or “h” are decimal values. Numbers that are followed by a lowercase “b” (e.g., 01b) are binary values. Numbers that are followed by a lowercase “h” (e.g., 3Ah) are hexadecimal values.

Signal Conventions

Signal names are shown in all uppercase type.

All signals are either high active or low active signals. A dash character (-) at the end of a signal name indicates that the signal is low active. A low active signal is true when it is below V_{iL} and is false when it is above V_{iH} . A signal without a dash at the end indicates that the signal is high active. A high active signal is true when it is above V_{iH} and is false when it is below V_{iL} .

When a signal is asserted, it means the signal is driven by an active circuit to its true state.

When a signal is negated, it means the signal is driven by an active circuit to its false state.

When a signal is released, it means the signal is not actively driven to any state. Some signals have bias circuitry that pull the signal to either a true or false state when no signal driver is actively asserting or negating the signal. These instances are noted under the description of the signal.

Chapter 2

PRODUCT DESCRIPTION

2.1 Product Description

The Fireball 3 is the industries first 40Gb single-head/single platter hard drive with an Ultra ATA/133 interface. Combining value and performance, this is an excellent choice for entry-level desktop systems and consumer electronic applications.

The Maxtor Fireball 3 drive is the latest in the family of Maxtor single platter 5400RPM drives designed for higher reliability. The drive's inner diameter load/unload ramp locks the recording head into a protective carrier to cradle the head during shipment and any other time the drive is not in operation.

The Fireball 3 take reliability and data integrity to a new level with Maxtor Shock Protection System (SPS) and Data Protection System (DPS). SPS and DPS give the user enhanced protection against both operation and non-operating shock and verify essential functions in seconds to minimize costly drive returns.

Industry leading design, optimized to meet the needs of the entry level and value applications:

- Supports popular entry level and value capacity - 40GB
- ATA/133 the fastest and latest IDE interface
- FDB (Fluid Dynamic Bearing) motor for quiet operation
- Low height to improve airflow and cooling
- Low weight to reduce shipping costs
- Improved reliability with:
 - ~ Shock Protection System
 - ~ Data Protection System

2.2 Key Features

- ANSI ATA-5/6 compliant PIO Mode 4 interface (Enhanced IDE)
- Supports ATA-6 UltraDMA Mode 5 (100 MBytes/sec) and Maxtor Ultra ATA/133 MBytes/second data transfer rates
- 2 MB buffer with multi-adaptive cache manager

- 5400 RPM spin speed
- 12.0 ms seek time
- Zone density and ID-less recording
- Outstanding shock resistance at 300 Gs
- High durability with 100,000 cycles for reliable load/unload function
- Advanced multi-burst on-the-fly Error Correction Code (ECC)
- Extended data integrity with ECC protected data and fault tolerant servo synchronization fields
- Supports EPA Energy Star Standards (Green PC Friendly) with ATA powering savings commands
- Auto park and lock actuator mechanism
- Low power consumption
- SMART Capability

Note: Maxtor defines 1 Gigabyte (GB) as 10^9 or 1,000,000,000 bytes of data. Total accessible capacity varies depending on operating environment.

2.3 Product Features

Functional/Interface

Maxtor hard drives contain all necessary mechanical and electronic parts to interpret control signals and commands from an AT-compatible host computer. See Chapter 3 Product Specifications, for complete drive specifications.

Zone Density Recording

The disk capacity is increased with bit density management – common with Zone Density Recording. Each disk surface is divided into 16 circumferential zones. All tracks within a given zone contain a constant number of data sectors. The number of data sectors per track varies in different zones; the outermost zone contains the largest number of data sectors and the innermost contains the fewest.

Read/Write Multiple Mode

This mode is implemented per ANSI ATA/ATAPI-6 specification. Read/Write Multiple allows the host to transfer a set number of sectors without an interrupt request between them, reducing transfer process overhead and improving host performance.

UltraDMA-Mode 5

Maxtor hard drives fully comply with the new ANSI Ultra DMA protocol, which greatly improves overall AT interface performance by significantly improving burst and sustained data throughput.

Multi-word DMA-Mode 2

Supports multi-word Direct Memory Access (DMA) mode transfers.

Sector Address Translation

All Maxtor hard drives feature a universal translate mode. In an AT/EISA-class system, the drive may be configured to any specified combination of cylinders, heads and sectors (within the range of the drive's formatted capacity). Maxtor hard drives power-up in a translate mode:

MODELS	CYL	HD	SPT	MAX LBA	CAPACITY
2F020J0/L0	40,395	16	63	40,718,160	20GB
2F030J0/L0	59,582	16	63	60,058,656	30GB
2F040J0/L0	79,656	16	63	80,293,248	40GB

Logical Block Addressing

The Logical Block Address (LBA) mode can only be utilized in systems that support this form of translation. The cylinder, head and sector geometry of the drive, as presented to the host, differs from the actual physical geometry. The host AT computer may access a drive of set parameters: number of cylinders, heads and sectors per track, plus cylinder, head and sector addresses. However, the drive can't use these host parameters directly because of zoned recording techniques. The drive translates the host parameters to a set of logical internal addresses for data access.

The host drive geometry parameters are mapped into an LBA based on this formula:

$$\begin{aligned} \text{LBA} &= (\text{HSCA} - 1) + \text{HHDA} \times \text{HSPT} + \text{HNHD} \times \text{HSPT} \times \text{HCYA} \\ &= (\text{HSCA} - 1) + \text{HSPT} \times (\text{HHDA} + \text{HNHD} \times \text{HCYA}) \end{aligned}$$

where HSCA = Host Sector Address, HHDA = Host Head Address
HCYA = Host Cylinder Address, HNHD = Host Number of Heads
HSPT = Host Sectors per Track

The LBA is checked for violating the drive capacity. If it does not, the LBA is converted to physical drive cylinder, head and sector values. The physical address is then used to access or store the data on the disk and for other drive related operations.

Defect Management Zone (DMZ)

Each drive model has a fixed number of spare sectors per drive, all of which are located at the end of the drive. Upon detection of a bad sector that has been reassigned, the next sequential sector is used.

For example, if sector 3 is flagged, data that would have been stored there is "pushed down" and recorded in sector 4. Sector 4 then effectively becomes sector 3, as sequential sectors are "pushed down" across the entire drive. The first spare sector makes up for the loss of sector 3, and so maintains the sequential order of data. This push down method assures maximum performance.

On-the-Fly Hardware Error Correction Code (ECC)

>24 symbols, single burst, guaranteed

Software ECC Correction

24 symbols, single burst, guaranteed

2.4 Cache Management

Buffer Segmentation

The data buffer is organized into two segments: the data buffer and the micro controller scratch pad. The data buffer is dynamically allocated for read and write data depending on the commands received. A variable number of read and write buffers may exist at the same time.

Read-Ahead Mode

Normally, this mode is active. Following a read request, disk read-ahead begins on the first sector and continues sequentially until the allocated buffer is full. If a read request is received during the read-ahead operation, the buffer is examined to determine if the request is in the cache. If a cache hit occurs, read-ahead mode continues without interruption and the host transfer begins immediately.

Automatic Write Reallocation (AWR)

This feature is part of the write cache and reduces the risk of data loss during deferred write operations. If a disk error occurs during the disk write process, the disk task stops and the suspect sector is reallocated to a pool of alternate sectors located at the end of the drive. Following reallocation, the disk write task continues until it is complete.

Write Cache Stacking

Normally, this mode is active. Write cache mode accepts the host write data into the buffer until the buffer is full or the host transfer is complete. A command complete interrupt is generated at the end of the transfer.

A disk write task begins to store the host data to disk. Host write commands continue to be accepted and data transferred to the buffer until either the write command stack is full or the data buffer is full. The drive may reorder write commands to optimize drive throughput.

2.5 Major HDA Components

Drive Mechanism

A brushless DC direct drive motor rotates the spindle at 5400 RPM ($\pm 0.1\%$). The dynamically balanced motor/spindle assembly ensures minimal mechanical run-out to the disks. A dynamic brake provides a fast stop to the spindle motor upon power removal. The speed tolerance includes motor performance and motor circuit tolerances.

Rotary Actuator

All Maxtor hard drives employ a rotary voice coil actuator which consists of a moving coil, an actuator arm assembly and stationary magnets. The actuator moves on a low-mass, low-friction center shaft. The low friction contributes to fast access times and low power consumption.

Read/Write Electronics

An integrated circuit mounted within the sealed head disk assembly (near the read/write heads) provides up to eight head selection depending on the model. It also provides read pre-amplification and write drive circuitry.

Read/Write Heads and Media

Low mass, low force giant magneto-resistive read/write heads record data on 3.5-inch diameter disks. Maxtor uses a sputtered thin film medium on all disks for Maxtor hard drives.

Air Filtration System

All Maxtor hard drives are assembled in a Class 100 controlled environment. Over the life of the drive, a 0.1 micron filter and breather filter located within the sealed head disk assembly (HDA) maintain a clean environment to the heads and disks. Maxtor drives are designed to operate in a typical office environment with minimum environmental control.

Microprocessor

The microprocessor controls the following functions for the drive electronics:

- Command execution
- Cache management
- Data correction and error recovery
- Diagnostic execution
- Data sequencing
- Head positioning (including error recovery)
- Host interface
- Index detection
- Spin speed control
- Seeks
- Servo
- SMART

2.6 Subsystem Configuration**Dual Drive Support**

Two drives may be accessed via a common interface cable, using the same range of I/O addresses. The drives have a jumper configuration as device 0 or 1 (Master/Slave), and are selected by the drive select bit in the Device/Head register of the task file.

All Task File registers are written in parallel to both drives. The interface processor on each drive decides whether a command written to it should be executed; this

depends on the type of command and which drive is selected. Only the drive selected executes the command and activates the data bus in response to host I/O reads; the drive not selected remains inactive.

A master/slave relationship exists between the two drives: device 0 is the master and device 1 the slave. When the Master is closed (factory default, figure 2-1), the drive assumes the role of master; when open, the drive acts as a slave. In single drive configurations, the Master jumper must be closed.

Cable Select Option

CSEL (cable select) is an optional feature per ANSI ATA specification. Drives configured in a multiple drive system are identified by CSEL's value:

- If CSEL is grounded, then the drive address is 0.
- If CSEL is open, then the drive address is 1.

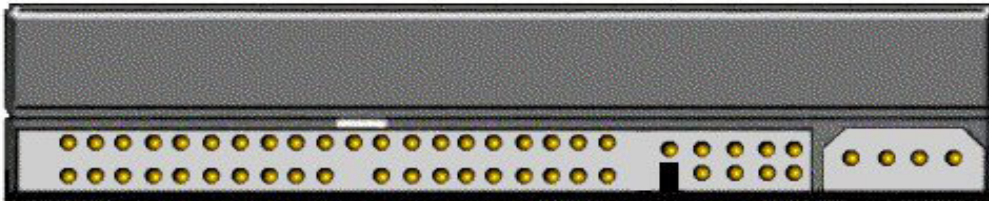


Figure 2-1 *PCBA Jumper Location and Configuration*

JUMPER CONFIGURATION	J49 J50	J47 J48	J45 J46	J43 J44	J41 J42
Master/Slave Only drive in single drive system * Master drive in dual drive system * Slave drive in dual drive system	C C O				
Cable Select Disabled * Enabled		O C			
Cylinder Limitation Disabled * Enabled			O C		
Factory Reserved				O	O
Key * = Default C = Closed (jumper installed) O = Open (no jumper installed)					

2.7 **Cylinder Limitation Jumper Description**

On some older BIOS', primarily those that auto-configure the disk drive, a hang may occur. The Cylinder Limitation jumper reduces the capacity in the Identify Drive allowing large capacity drives to work with older BIOS. The capacity reported when J45:J46 is closed will be as follows: drives less than or equal to 32GB will report 2.1GB.

Chapter 3

PRODUCT SPECIFICATIONS

3.1 Models and Capacities

MODELS	2F020J0/L0	2F030J0/L0	2F040J0/L0
Formatted Capacity (GB LBA Mode)	20GB	30GB	40GB
GB means 1 billion bytes. Total accessible capacity varies depending on operating environment.			

3.2 Drive Configuration

MODELS	20GB	30GB	40GB
Data Surfaces/Number of Heads	1	1	1
Number of Disks	1	1	1
Sectors per Drive (max LBA)	40,720,112	60,061,904	80,295,529
Integrated Interface	Maxtor Ultra ATA/133 (ATA-5/ATA-6)		
Recording Method	PRML		
Servo Type	Embedded		
Number of Servo Sectors	232		
Data Zones per Surface	16		
Data Sectors per Track (ID/OD)	464/835, 522/928, 696/1160		
Areal Density (Gbits/in ² max, ID/OD)	30.1/27, 46.2/39.8, 60.7/51		
Flux Density (kfc _i , ID/OD)	OD = 471.2/542.7/712.5 ID = 424/467.7/600		
Recording Density (kbp _i , ID/OD)	ID = 452/521/684 OD = 407/449/576		
Track Density (ktp _i)	67.5/90/90		

3.3 Performance Specifications

MODELS	20GB	30GB	40GB
Seek Times (typical read, ms)			
Track-to-Track		1.0	
Average (normal seek)		≤12.0	
Full Stroke (normal seek)		≤23	
Average Latency (ms)		5.55	
Controller Overhead (ms)		<0.3	
Rotation Speed (RPM ±0.1%)		5400	
Data Transfer Speed (MByte/sec max)			
To/From Interface (Maxtor Ultra ATA/133, up to)		133	
To/From Media (ID/OD up to nn.n, where nn.n is the maximum transfer rate possible)		ID = 223/257/337 OD = 406/445/560	
Sustained (ID/OD up to nn.n, where nn.n is the maximum transfer rate possible)		ID = 21.6/24.3/32.3 OD = 38.8/43.1/53.9	
Data Buffer Size (MB)/Type		2/SDRAM	
Drive Ready Time (typical sec)		<7.0	

3.4 Physical Dimensions

PARAMETER	VALUE
Height (maximum in mm)	17.5
Width (typical mm)	101.6
Length (maximum in mm)	146.1
Weight (maximum in grams)	0.509

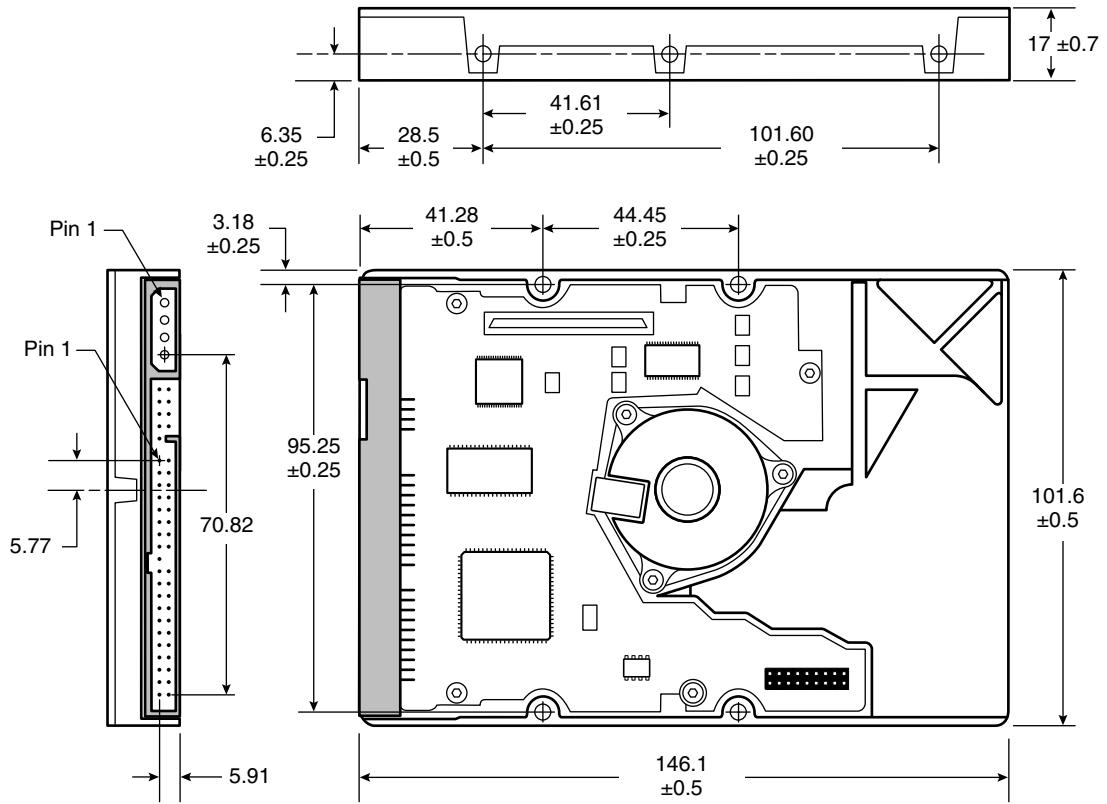


Figure 3-1 Outline and Mounting Dimensions

3.5 Power Requirements

MODE	12V (MA)	5V (MA)	POWER (W)
Spin-up (peak)	1687.75	552.76	23.02
Seek	448.6	340.68	7.09
Read/Write	329.10	453.76	6.22
Idle	257.65	350.73	4.2
Standby	36.23	111.71	0.99
Sleep	36.23	110.88	0.99

3.6 Power Mode Definitions

Spin-up

The drive is spinning up following initial application of power and has not yet reached full speed.

Seek

A random access operation by the drive.

Read/Write

Data is being read from or written to the drive.

Idle

The drive is spinning, the actuator is parked and powered off and all other circuitry is powered on.

The drive is capable of responding to read commands within 40 ms.

Standby

The motor is not spinning. The drive will leave this mode upon receipt of a command that requires disk access. The time-out value for this mode is programmable. The buffer is active to accept write data.

Sleep

This is the lowest power state – with the interface set to inactive. A software or hardware reset is required to return the drive to the Standby state.

3.7 EPA Energy Star Compliance

Maxtor Corporation supports the goals of the U.S. Environmental Protection Agency’s Energy Star program to reduce the electrical power consumption of computer equipment.

3.8 Environmental Limits

PARAMETER	OPERATING	NON-OPERATING/ STORAGE
Temperature	5° C to 55° C (with no ARR impact) 0° C to 60° C (margin demonstrated ¹)	Low temperature (-40° C) High temperature (71° C) per MIL-STD-810E, method 501.3, climatic category; hot-induced conditions.
Thermal Gradient	> 30° C per hour (maximum)	
Relative Humidity	5% to 95% (non-condensing)	
Wet Bulb	30° C (maximum)	
Altitude (relative to sea level)	-650 to 10,000 feet	-650 to 40,000 feet

ACOUSTIC NOISE²	IDLE MODE (Track Following at Speed)	NORMAL SEEK MODE
Fluid Bearing	2.6 bel average 2.9 bel maximum	2.7 bel average 2.9 bel maximum
Ball Bearing	2.8 bel average 3.3 bel maximum	3.0 bel average 3.4 bel maximum

Notes:

1. Margin demonstrated implies the product will operate at the stated conditions with an acceptable impact to the ARR specification for any OEM requiring those values in their purchase specification.
2. The testing performed by Maxtor is consistent with ISO 7779. Variation in acoustic levels from the idle specification may occur due to offline activity according to the SMART specification and/or atmospheric conditions.

3.9 Shock and Vibration

PARAMETER	OPERATING	NON-OPERATING
Mechanical Shock	R > = 0.988/shock at 60 Gs; R > 0.999/shock at 30 Gs	2 msec, 1/2 sine R = 0.90 @ > = 300G, 1 disk R = 0.95 @ > = 250G, 1 disk R = 0.99 @ > = 200G, 1 disk
Rotational Shock	R > -0.988 @ 2000 rad/sec ²	R > - 0.95 @ 20K rad/sec ² , 0.5ms to 1ms input R > - 0.99 @ 15K rad/sec ² , 0.5ms to 1ms input
Rotational Random Vibration	5 - 2000 Hz 4.70 rad/sec ² RMS Overall	2 - 300 Hz 96.5 rad/sec ² RMS
Random Vibration	5 - 2000 Hz 0.87 GRMS Overall	PSD: 7 - 800 Hz at 3.08 GRMS No Damage
Swept Sine Vibration (0.25 octave/minute, peak amplitude) 5-1500 Hz	Frequency (Hz) / Acceleration (Gpk) 5 / 0.40" DA 8.5 / 0.40" DA 8.6 / 1.500 300 / 1.500 390 \ 0.300 700 / 0.050 1500 / 0.050	

3.10 Reliability Specifications

Annualized Return Rate

<1.0% Annualized Return Rate (ARR) indicates the average against products shipped. ARR includes all reasons for returns (failures, handling, damage, NDF) but does not include inventory credit returns.

Load/Unload Cycles

100,000 This indicates the average minimum cycles for reliable load/unload function.

Data Reliability

<1 per 10e15 bits read

Data errors (non-recoverable). Average data error rate allowed with all error recovery features activated.

Component Design Life

5 years (*minimum*)

Component design life is defined as a.) the time period before identified wear-out mechanisms impact the failure rate, or b.) the time period up to the wear-out point when useful component life expires.

3.11 EMC/EMI

3.11.1 Radiated Electromagnetic Field Emissions - EMC Compliance

The hard disk drive mechanism is designed as a subassembly for installation into a suitable enclosure and is therefore not subject to Subpart J of Part 15 of FCC Rules (47CFR15) or the Canadian Department of Communications Radio Interference Regulations. Although not required, the disk mechanism has been tested within a suitable end-use product and found to comply with Class B limits of the FCC Rules and Regulations of the Canadian Department of Communications.

The CE Marking indicates conformity with the European Union Low Voltage Directive (73/23/EEC) when the disk mechanism is installed in a typical personal computer. Maxtor recommends that testing and analysis for EMC compliance be performed with the disk mechanism installed within the user's end-use application.

3.11.2 Canadian Emissions Statement

This digital apparatus does not exceed the Class B limits for radio noise emissions from digital apparatus as set out in the radio interference regulations of the Canadian department of communications.

Le present appareil numerique n'emet pas de bruit radioelectriques depassant les limites applicables aux appareils numeriques de Class B prescrites dans le reglement sur le brouillage radioelectrique edicte pa le ministere des communications du Canada.

3.12 Safety Regulatory Compliance

All Maxtor hard drives comply with relevant product safety standards such as CE, CUL, TUV and UL rules and regulations. As delivered, Maxtor hard drives are designed for system integration before they are used.

Chapter 4

HANDLING AND INSTALLATION

4.1 Hard Drive Handling Precautions

- If the handling precautions are not followed, damage to the hard drive may result which may void the warranty.
- During handling, **NEVER** drop, jar, or bump a drive. Handle the drive by its sides and avoid touching the printed circuit board assembly (PCBA).
- Hard drives are sensitive to electrostatic discharge (ESD) damage. Use proper ESD practices by grounding yourself and the computer system the hard drive will be installed in.
- Allow the hard drive to reach room temperature **BEFORE** installing it in your computer system.
- **NEVER** switch DC power onto the drive by plugging an electrically live DC source cable into the drive's connector. **NEVER** connect a live connector to the hard drive's IDE interface connector.
- **ELECTRICAL GROUNDING** - For proper operation, the drive must be securely fastened to a device bay that provides a suitable electrical ground to the drive baseplate.

4.2 Electrostatic Discharge (ESD)

To better avoid problems associated with ESD, Maxtor advises that anyone handling a disk drive use a wrist strap with an attached wire connected to an earth ground. Failure to observe these precautions voids the product warranty.

To reduce the incidence of ESD-related problems, Maxtor recommends that any electronics manufacturing plans include a comprehensive ESD program.

Maxtor also offers a complete video training package, "Care and Handling of Maxtor Disk Drives." Contact your Maxtor representative for details.

4.3 Unpacking and Inspection

Retain any packing material for reuse. Inspect the shipping container for evidence of damage in transit. Notify the carrier immediately in case of damage to the shipping container.

As they are removed, inspect drives for evidence of shipping damage or loose hardware. If a drive is damaged (and no container damage is evident), notify Maxtor immediately for drive disposition.

Figure 4-1 Single-Pack Shipping Container

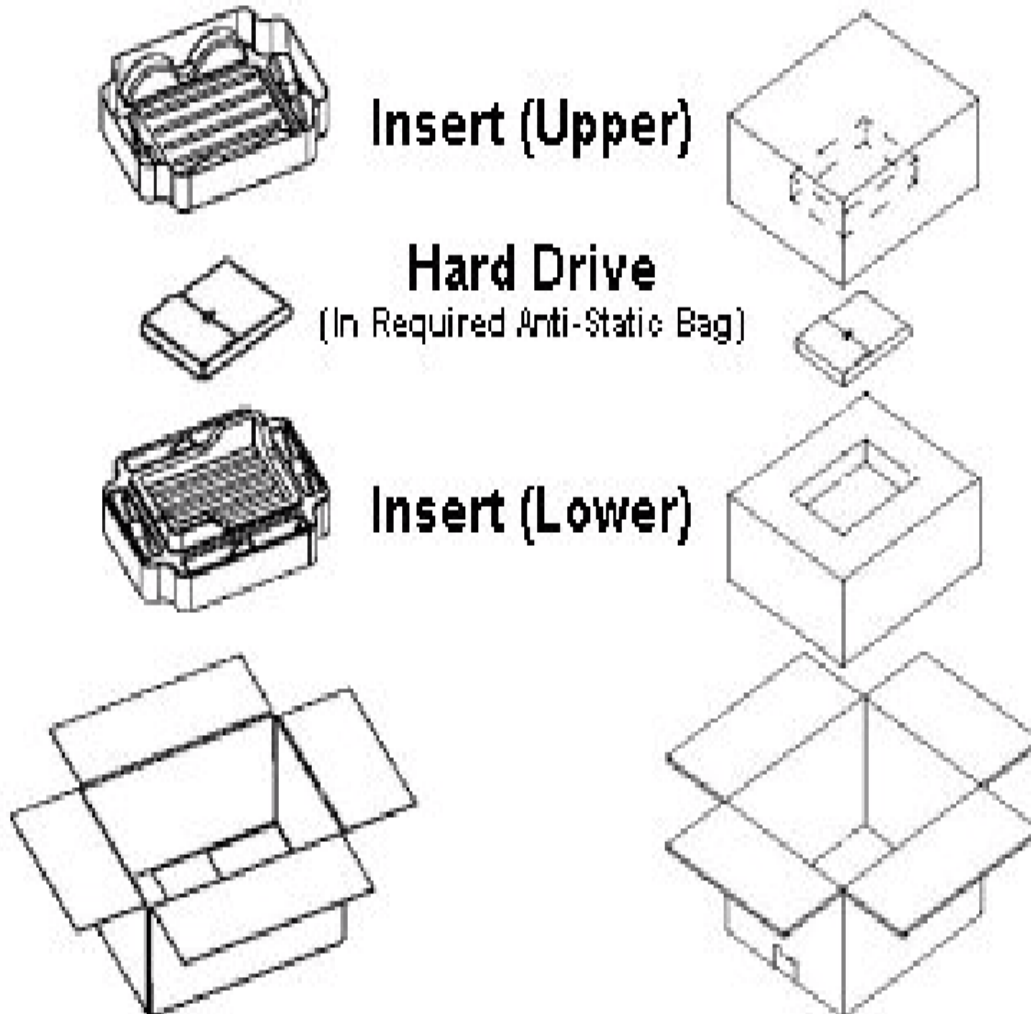
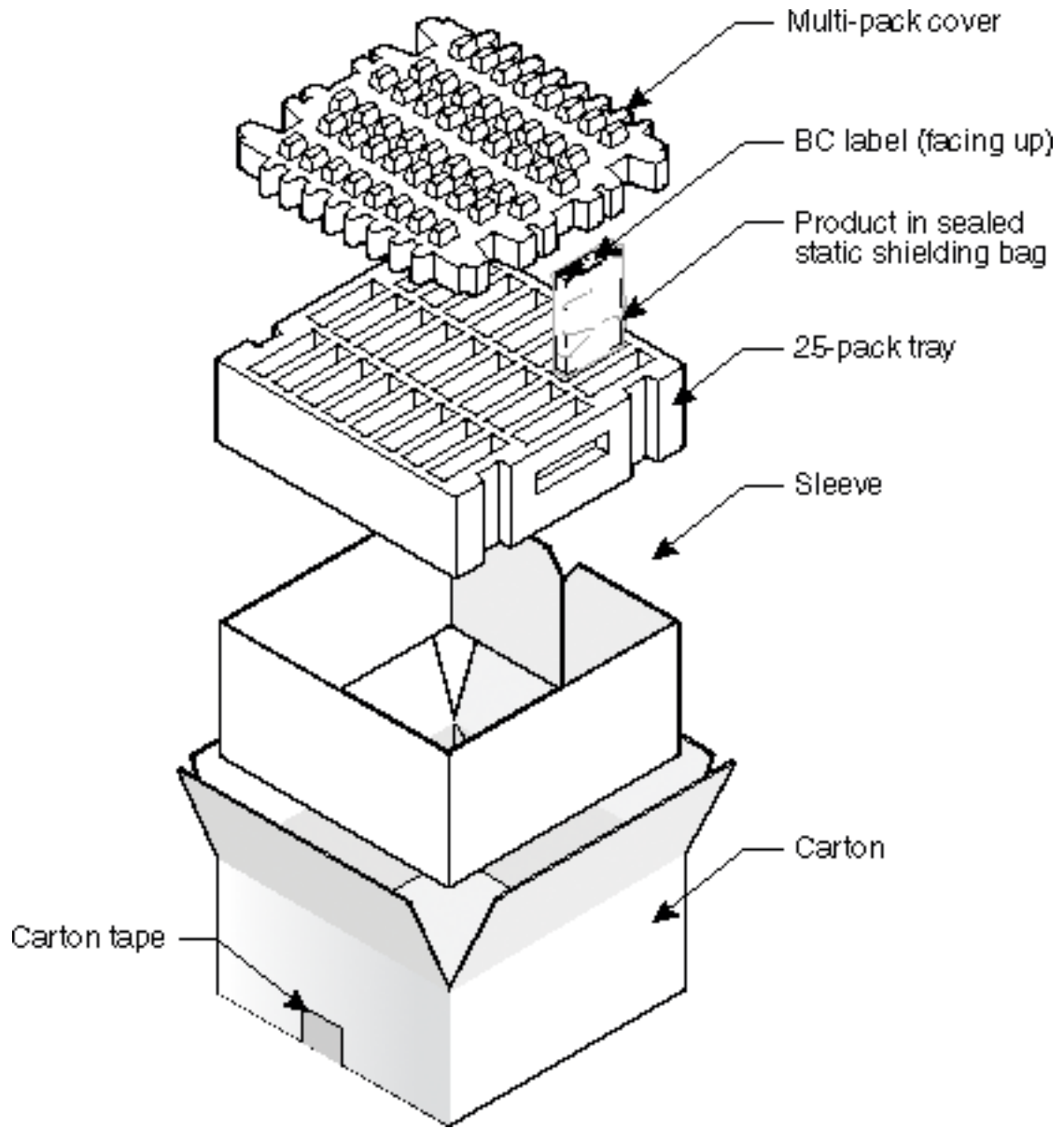


Figure 4-2 25-Pack Shipping Container



4.4 *Repacking*

If a Maxtor drive requires return, repack it using Maxtor packing materials, including the antistatic bag.

4.5 *Physical Installation*

The Maxtor hard drive design allows greater shock tolerance than that afforded by larger, heavier drives. The drive may be mounted in any attitude using four size 6-32 screws with 3 mm maximum penetration and a maximum torque of 5-inch pounds.

Allow adequate ventilation to the drive to ensure reliable operation.

The detailed installation instructions for Maxtor hard drives are provided in the Installation Guide. To obtain a copy of the Installation Guide please visit Maxtor's web site at www.maxtor.com and select the product family to view or download the correct installation information for this product.

Chapter 5

ATA BUS INTERFACE AND ATA COMMANDS

This chapter describes the interface between Maxtor Fireball3 hard disk drives and the ATA bus. The commands that are issued from the host to control the drive are listed, as well as the electrical and mechanical characteristics of the interface.

5.1 INTRODUCTION

Maxtor Fireball3 hard disk drives use the standard ATA/ATAPI interface. Support of various options in the standard are explained in the following sections.

5.2 MECHANICAL INTERFACE

5.2.1 Signal Cable and Connector

The Maxtor Fireball3 hard disk drive contains a 40-pin unitized connector for both signal and power connections as well as configuration jumpers. The dimensions and specifications of the unitized connector comply with Annex. A in the ATA/ATAPI standard.

The Maxtor Fireball3 drives require the use of an 80 conductor cable (ATA/ATAPI-6, Annex. A, Figure A.4 and description) to support the drive's Ultra DMA capability.

5.3 ELECTRICAL INTERFACE

5.3.1 ATA Bus Interface

5.3.1.1 Electrical Characteristics

Signals on the ATA interface are assigned to connector pins according to Annex. A in the ATA/ATAPI-6 standard for the 80 conductor cable assembly. The signaling protocol complies with clause 9 and signal timing complies with clause 10 of the standard.

The Maxtor Fireball3 hard disk drives support all Ultra DMA Data Transfer modes (0 - 5) defined in the ATA/ATAPI-6 standard. In addition, these drives support Mode 6, and can send and receive data at the full 133MB/s transfer rate.

Hosts may assert the RESET- signal for longer than the minimum. When power is applied with RESET- asserted, the Maxtor Fireball3 disk media will not begin to spin up until RESET- is negated. This may reduce maximum current consumption for the overall system.

5.4 REGISTER ADDRESS DECODING

The Maxtor Fireball3 hard disk drives allow their host systems to address the full set of command and control registers as specified in clause 7 of the ATA/ATAPI-6 standard.

5.5 COMMAND INTERFACE

5.5.1 General Feature Set

The μ Processor, Disk Controller, and ATA Interface electronics are contained in a proprietary ASIC developed by Maxtor.

5.5.2 Supported Commands

The Maxtor Fireball3 hard disk drives support all the mandatory commands from the general feature set for devices not supporting the Packet command feature set. Refer to the ATA/ATAPI-6 standard for a detailed description of these commands. The IDENTIFY DRIVE command, however, is elaborated in the section "Identify Drive Command" on page 5.

Table 5-1 Lists the supported commands.

Table 5-1 Supported Commands

Command	Command Code	Feature Register Value(s)
CHECK POWER MODE	98h, E5h	
DEVICE CONFIGURATION FREEZE LOCK	B1h	C1h
DEVICE CONFIGURATION IDENTIFY	B1h	C2h
DEVICE CONFIGURATION RESTORE	B1h	C0h
DEVICE CONFIGURATION SET	B1h	C3h
DOWNLOAD MICROCODE	92h	07h, 01h
EXECUTE DRIVE DIAGNOSTIC	90h	
FLUSH CACHE	E7h	
IDENTIFY DRIVE	ECh	
IDLE	97h, E3h	
IDLE IMMEDIATE	95h, E1h	
NOP	00h	

Table 5-1 Supported Commands

Command	Command Code	Feature Register Value(s)
READ BUFFER	E4h	
READ DMA	C8h, C9h	
READ LONG	22h, 23h	
READ MULTIPLE	C4h	
READ NATIVE MAX ADDRESS	F8h	
READ SECTOR(S)	20h, 21h	
READ VERIFY SECTOR(S)	40h, 41h	
SECURITY DISABLE PASSWORD	F6h	
SECURITY ERASE PREPARE	F3h	
SECURITY ERASE UNIT	F4h	
SECURITY FREEZE LOCK	F5H	
SECURITY SET PASSWORD	F1h	
SECURITY UNLOCK	F2h	
SEEK	70h	
SET FEATURES	EFh	Note 1
SET MAX ADDRESS	F9h	00h
SET MAX SET PASSWORD	F9h	01h
SET MAX LOCK	F9h	02h
SET MAX UNLOCK	F9h	03h
SET MAX FREEZE LOCK	F9h	04h
SET MULTIPLE MODE	C6h	
SLEEP	99h, E6h	
SMART DISABLE OPERATIONS	B0h	D9h
SMART ENABLE OPERATIONS	B0h	D8h
SMART ENABLE/DISABLE ATTRIBUTE AUTOSAVE	B0h	D2h

Table 5-1 Supported Commands

Command	Command Code	Feature Register Value(s)
SMART EXECUTE OFF-LINE IMMEDIATE	B0h	D4h
SMART READ DATA	B0h	D0h
SMART READ LOG	B0h	D5h
SMART RETURN STATUS	B0h	DAh
SMART SAVE ATTRIBUTE VALUES	B0h	D3h
SMART WRITE LOG	B0h	D6h
STANDBY	96h, E2h	
STANDBY IMMEDIATE	94h, E0h	
WRITE BUFFER	E8h	
WRITE DMA	CAh, CBh	
WRITE MULTIPLE	C5h	
WRITE PIO OVERLAP	34h	
WRITE SECTOR(S)	30h, 31h	

Note: 1. As defined in the ATA/ATAPI-6 standard.

Identify Drive Command

This command allows the host to receive parameter information from the drive.

When the command is received, the drive:

1. Sets BSY
2. Stores the required parameter information in the sector buffer
3. Sets the DRQ bit
4. Generates an interrupt

The host may then read the information out of the sector buffer. Parameter words in the buffer are shown in Table 5-2.

Note: All reserved bits or words should be zeroes.

Table 5-2 Identify Drive Command Parameters

Word	CONTENT DESCRIPTION
0	General configuration bit-significant information:
	15: 0 = ATA device
	14-8: Retired
	7: 1 = removable media device
	6: Obsolete
	5-3: Retired
	2: Response incomplete
	1: Retired
	0: Reserved
1	Obsolete
2	Specific configuration
3	Obsolete
4-5	Retired
6	Obsolete
7-8	Reserved for assignment by the CompactFlash Association
9	Retired
10-19	Serial number (20 ASCII characters)

Table 5-2 Identify Drive Command Parameters

Word	CONTENT DESCRIPTION
20-21	Retired
22	Obsolete
23-26	Firmware revision (8 ASCII characters)
27-46	Model number (40 ASCII characters)
47	15-8: 80h
	7-0: 00h = Reserved
	01h-FFh: = Maximum number of sectors that shall be transferred per interrupt on READ/WRITE MULTIPLE commands
48	Reserved
49	Capabilities
	15-14: Reserved for the IDENTIFY PACKET DEVICE command.
	13: 1 = Standby timer values as specified in this standard are supported. 0 = Standby timer values shall be managed by the device
	12: Reserved for the IDENTIFY PACKET DEVICE command.
	11: 1 = IORDY supported. 0 = IORDY may be supported
	10: 1 = IORDY may be disabled
	9: 1 = LBA supported
	8: 1 = DMA supported.
7-0: Retired	
50	Capabilities
	15: Shall be cleared to zero.
	14: Shall be set to one.
	13-2: Reserved.
	1: Obsolete
	0: Shall be set to one to indicate a device specific Standby timer value minimum.
51-52	Obsolete

Table 5-2 Identify Drive Command Parameters

Word	CONTENT DESCRIPTION
53	15-3: Reserved
	2: 1 = the fields reported in word 88 are valid. 0 = the fields reported in word 88 are not valid
	1: 1 = the fields reported in words (70:64) are valid. 0 = the fields reported in words (70:64) are not valid
	0: Obsolete
54-58	Obsolete
59	15-9: Reserved
	8: 1 = Multiple sector setting is valid
	7-0: xxh = Current setting for number of sectors that shall be transferred per interrupt on R/W Multiple command
60-61	Total number of user addressable sectors
62	Obsolete
63	15-11: Reserved
	10: 1 = Multiword DMA mode 2 is selected. 0 = Multiword DMA mode 2 is not selected
	9: 1 = Multiword DMA mode 1 is selected. 0 = Multiword DMA mode 1 is not selected
	8: 1 = Multiword DMA mode 0 is selected. 0 = Multiword DMA mode 0 is not selected
	7-3: Reserved
	2: 1 = Multiword DMA mode 2 and below are supported
	1: 1 = Multiword DMA mode 1 and below are supported
	0: 1 = Multiword DMA mode 0 is supported
	64
7-0: PIO modes supported	
65	Minimum Multiword DMA transfer cycle time per word
	15-0: Cycle time in nanoseconds
66	Manufacturer's recommended Multiword DMA transfer cycle time
	15-0: Cycle time in nanoseconds

Table 5-2 Identify Drive Command Parameters

Word	CONTENT DESCRIPTION
67	Minimum PIO transfer cycle time without flow control
	15-0: Cycle time in nanoseconds
68	Minimum PIO transfer cycle time with IORDY flow control
	15-0: Cycle time in nanoseconds
69-70	Reserved (for future command overlap and queuing)
71-74	Reserved for IDENTIFY PACKET DEVICE command.
75	Queue depth
	15-5: Reserved
	4-0: Maximum queue depth – 1
76-79	Reserved for Serial ATA
80	Major version number
	0000h or FFFFh = device does not report version
	15: Reserved
	14: Reserved for ATA/ATAPI-14
	13: Reserved for ATA/ATAPI-13
	12: Reserved for ATA/ATAPI-12
	11: Reserved for ATA/ATAPI-11
	10: Reserved for ATA/ATAPI-10
	9: Reserved for ATA/ATAPI-9
	8: Reserved for ATA/ATAPI-8
	7: Reserved for ATA/ATAPI-7
	6: 1 = supports ATA/ATAPI-6
	5: 1 = supports ATA/ATAPI-5
	4: 1 = supports ATA/ATAPI-4
	3: 1 = supports ATA-3
	2: Obsolete
1: Obsolete	
0: Reserved	

Table 5-2 Identify Drive Command Parameters

Word	CONTENT DESCRIPTION
81	Minor version number
	0000h or FFFFh = device does not report version. 0001h-FFFEh = see 6.16.41 of ATA/ATAPI-7 specification
82	Command set supported.
	15: Obsolete
	14: 1 = NOP command supported
	13: 1 = READ BUFFER command supported
	12: 1 = WRITE BUFFER command supported
	11: Obsolete
	10: 1 = Host Protected Area feature set supported
	9: 1 = DEVICE RESET command supported
	8: 1 = SERVICE interrupt supported
	7: 1 = release interrupt supported
	6: 1 = look-ahead supported
	5: 1 = write cache supported
	4: Shall be cleared to zero to indicate that the PACKET Command feature set is not supported
	3: 1 = mandatory Power Management feature set supported
	2: 1 = Removable Media feature set supported
	1: 1 = Security Mode feature set supported
0: 1 = SMART feature set supported	
83	Command sets supported.
	15: Shall be cleared to zero
	14: Shall be set to on
	13: 1 = FLUSH CACHE EXT command supported
	12: 1 = mandatory FLUSH CACHE command supported
	11: 1 = Device Configuration Overlay feature set supported
	10: 1 = 48-bit Address feature set supported
	9: 1 = Automatic Acoustic Management feature set supported
	8: 1 = SET MAX security extension supported

Table 5-2 Identify Drive Command Parameters

Word	CONTENT DESCRIPTION
83	7: See Address Offset Reserved Area Boot, INCITS TR27:2001
	6: 1 = SET FEATURES subcommand required to spinup after power-up
	5: 1 = Power-Up In Standby feature set supported
	4: 1 = Removable Media Status Notification feature set supported
	3: 1 = Advanced Power Management feature set supported
	2: 1 = CFA feature set supported
	1: 1 = READ/WRITE DMA QUEUED supported
	0: 1 = DOWNLOAD MICROCODE command supported
84	Command set/feature supported extension.
	15: Shall be cleared to zero
	14: Shall be set to one
	13-8: Reserved
	7: 1 = WRITE DMA QUEUED FUA EXT command supported
	6: 1 = WRITE DMA FUA EXT and WRITE MULTIPLE FUA EXT commands supported
	5: 1 = General Purpose Logging feature set supported
	4: 1 = Streaming feature set supported
	3: 1 = Media Card Pass Through Command feature set supported
	2: 1 = Media serial number supported
	1: 1 = SMART self-test supported
	0: 1 = SMART error logging supported
85	Command set/feature enabled.
	15: Obsolete
	14: 1 = NOP command enabled
	13: 1 = READ BUFFER command enabled
	12: 1 = WRITE BUFFER command enabled
	11: Obsolete
	10: 1 = Host Protected Area feature set enabled
	9: 1 = DEVICE RESET command enabled
8: 1 = SERVICE interrupt enabled	

Table 5-2 Identify Drive Command Parameters

Word	CONTENT DESCRIPTION
85	7: 1 = release interrupt enabled
	6: 1 = look-ahead enabled
	5: 1 = write cache enabled
	4: Shall be cleared to zero to indicate that the PACKET Command feature set is not supported.
	3: 1 = Power Management feature set enabled
	2: 1 = Removable Media feature set enabled
	1: 1 = Security Mode feature set enabled
	0: 1 = SMART feature set enabled
86	Command set/feature enabled.
	15-14: Reserved
	13: 1 = FLUSH CACHE EXT command supported
	12: 1 = FLUSH CACHE command supported
	11: 1 = Device Configuration Overlay supported
	10: 1 = 48-bit Address features set supported
	9: 1 = Automatic Acoustic Management feature set enabled
	8: 1 = SET MAX security extension enabled by SET MAX SET PASSWORD
	7: See Address Offset Reserved Area Boot, INCITS TR27:2001
	6: 1 = SET FEATURES subcommand required to spin-up after power-up
	5: 1 = Power-Up In Standby feature set enabled
	4: 1 = Removable Media Status Notification feature set enabled
	3: 1 = Advanced Power Management feature set enabled
	2: 1 = CFA feature set enabled
	1: 1 = READ/WRITE DMA QUEUED command supported
0: 1 = DOWNLOAD MICROCODE command supported	
87	Command set/feature default.
	15: Shall be cleared to zero
	14: Shall be set to one
	13-8: Reserved
	7: 1 = WRITE DMA QUEUED FUA EXT command supported

Table 5-2 Identify Drive Command Parameters

Word	CONTENT DESCRIPTION
87	6: 1 = WRITE DMA FUA EXT and WRITE MULTIPLE FUA EXT commands supported
	5: General Purpose Logging feature set supported
	4: 1 = Valid CONFIGURE STREAM command has been executed
	3: 1 = Media Card Pass Through Command feature set enabled
	2: 1 = Media serial number is valid
	1: 1 = SMART self-test supported
	0: 1 = SMART error logging supported
88	15: Reserved
	14: 1 = Ultra DMA mode 6 is selected. 0 = Ultra DMA mode 6 is not selected
	13: 1 = Ultra DMA mode 5 is selected. 0 = Ultra DMA mode 5 is not selected
	12: 1 = Ultra DMA mode 4 is selected. 0 = Ultra DMA mode 4 is not selected
	11: 1 = Ultra DMA mode 3 is selected. 0 = Ultra DMA mode 3 is not selected
	10: 1 = Ultra DMA mode 2 is selected. 0 = Ultra DMA mode 2 is not selected
	9: 1 = Ultra DMA mode 1 is selected. 0 = Ultra DMA mode 1 is not selected
	8: 1 = Ultra DMA mode 0 is selected. 0 = Ultra DMA mode 0 is not selected
	7: Reserved
	6: 1 = Ultra DMA mode 6 and below are supported
	5: 1 = Ultra DMA mode 5 and below are supported
	4: 1 = Ultra DMA mode 4 and below are supported
	3: 1 = Ultra DMA mode 3 and below are supported
	2: 1 = Ultra DMA mode 2 and below are supported
	1: 1 = Ultra DMA mode 1 and below are supported
0: 1 = Ultra DMA mode 0 is supported	
89	Time required for security erase unit completion
90	Time required for Enhanced security erase completion
91	Current advanced power management value
92	Master Password Revision Code

Table 5-2 Identify Drive Command Parameters

Word	CONTENT DESCRIPTION
93	Hardware reset result. The contents of bits (12:0) of this word shall change only during the execution of a hardware reset
15:	Shall be cleared to zero.
14:	Shall be set to one.
13:	1 = device detected CBLID- above ViH. 0 = device detected CBLID- below ViL
12-8:	Device 1 hardware reset result. Device 0 shall clear these bits to zero. Device shall set these bits as follows:
12:	Reserved.
11:	0 = Device 1 did not assert PDIAG-. 1 = Device 1 asserted PDIAG-.
10-9:	These bits indicate how Device 1 determined the device number:
	00 = Reserved.
	01 = a jumper was used.
	10 = the CSEL signal was used.
	11 = some other method was used or the method is unknown.
8:	Shall be set to one.
7-0:	Device 0 hardware reset result. Device 1 shall clear these bits to zero. Device shall set these bits as follows:
7:	Reserved.
6:	0 = Device 0 does not respond when Device 1 is selected. 1 = Device 0 responds when Device 1 is selected.
5:	0 = Device 0 did not detect the assertion of DASP-. 1 = Device 0 detected the assertion of DASP-
4:	0 = Device 0 did not detect the assertion of PDIAG-. 1 = Device 0 detected the assertion of PDIAG-.
3:	0 = Device 0 failed diagnostics. 1 = Device 0 passed diagnostics.
2-1:	These bits indicate how Device 0 determined the device number:
	00 = Reserved.
	01 = a jumper was used.
	10 = the CSEL signal was used.
	11 = some other method was used or the method is unknown.
0:	Shall be set to one.

Table 5-2 Identify Drive Command Parameters

Word	CONTENT DESCRIPTION
94	15-8: Vendor's recommended acoustic management value.
	7-0: Current automatic acoustic management value
95	Stream Minimum Request Size
96	Stream Transfer Time - DMA
97	Stream Access Latency - DMA
98-99	Streaming Performance Granularity
100-103	Maximum user LBA for 48-bit Address feature set.
104	Stream Transfer Time - PIO
105	Stream Access Latency - PIO
106	Physical sector size
	15: Shall be cleared to zero
	14: Shall be set to one
	13: 1 = Device has multiple logical sectors per physical sector.
	12-4: Reserved
	3-0: 2 ^X logical sectors per physical sector
107	Inter-seek delay for ISO-7779 acoustic testing in microseconds
108-126	Reserved
127	Removable Media Status Notification feature set support
	15-2: Reserved
	1-0:
	00 = Removable Media Status Notification feature set not supported
	01 = Removable Media Status Notification feature supported
	10 = Reserved
	11 = Reserved

Table 5-2 Identify Drive Command Parameters

Word	CONTENT DESCRIPTION
128	Security status
	15-9: Reserved
	8: Security level 0 = High, 1 = Maximum
	7-6: Reserved
	5: 1 = Enhanced security erase supported
	4: 1 = Security count expired
	3: 1 = Security frozen
	2: 1 = Security locked
	1: 1 = Security enabled
	0: 1 = Security supported
129-159	Vendor specific
160	CFA power mode 1
	15: Word 160 supported
	14: Reserved
	13: CFA power mode 1 is required for one or more commands implemented by the device
	12: CFA power mode 1 disabled
	11-0: Maximum current in ma
161-175	Reserved for assignment by the CompactFlash Association
176-205	Current media serial number
206-254	Reserved
255	Integrity word
	15-8: Checksum
	7-0: Signature

Chapter 6

SERVICE AND SUPPORT

6.1 Product Support/Technical Assistance/Customer Service

For Product Service and Support Information please visit our site at:

www.maxtor.com for warranty service or www.maxtorkb.com for technical support.

GLOSSARY

A

ACCESS – (v) Read, write, or update information on some storage medium, such as a disk. (n) One of these operations.

ACCESS TIME – The interval between the time a request for data is made by the system and the time the data is available from the drive. Access time includes the actual seek time, rotational latency, and command processing overhead time. See also seek, rotational latency, and overhead.

ACTUATOR – Also known as the *positioner*. The internal mechanism that moves the read/write head to the proper track. The Maxtor actuator consists of a rotary voice coil and the head mounting arms. One end of each head mounting arm attaches to the rotor with the read/write heads attached at the opposite end of each arm. As current is applied to the rotor, it rotates, positioning the heads over the desired cylinder on the media.

AIRLOCK – A patented Maxtor feature that ensures durable and reliable data storage. Upon removal of power from the drive for any reason, the read/write heads automatically park and lock in a non data area called the landing zone. AIRLOCK allows the drive to withstand high levels of non-operating shock. When power is applied to the drive, airflow created from the spinning disks causes the AIRLOCK arm to swing back and unlock the actuator, allowing the heads to move from the landing zone. Upon power down, the AIRLOCK swings back to the locked position, locking the heads in the landing zone. A park utility is not required to park the heads on drives equipped with AIRLOCK (all Maxtor drives).

ALLOCATION – The process of assigning particular areas of the disk to particular files. See also allocation unit.

ALLOCATION UNIT – An allocation unit, also known as a *cluster*, is a group of sectors on the disk that can be reserved for the use of a particular file.

AVERAGE SEEK TIME – The average time it takes for the read/write head to move to a specific location. To compute the average seek time, you divide the time it takes to complete a large number of random seeks all over the disk by the number of seeks performed.

B

BACKUP – A copy of a file, directory, or volume on a separate storage device from the original, for the purpose of retrieval in case the original is accidentally erased, damaged, or destroyed.

BAD BLOCK – A block (usually the size of a sector) that cannot reliably hold data because of a media flaw or damaged format markings.

BAD TRACK TABLE – A label affixed to the casing of a hard disk drive that tells which tracks are flawed and cannot hold data. The listing is typed into the low-level formatting program when the drive is being installed. Because Maxtor disk drive's defect-management scheme handles all such flaws automatically, there is no need to concern yourself with bad track tables.

BIT – Abbreviation for binary digit. A binary digit may have one of two values—1 or 0. This contrasts with a decimal digit, which may have a value from 0 to 9. A bit is one of the logic 1 or logic 0 binary settings that make up a byte of data. See also byte.

BLOCK – A sector or group of sectors. By default, a block of data consists of 512 bytes.

BPI – Abbreviation for *bits per inch*. A measure of how densely information is packed on a storage medium. Flux changes per inch is

also a term commonly used in describing storage density on a magnetic surface.

BUFFER – An area of RAM reserved for temporary storage of data that is waiting to be sent to a device that is not yet ready to receive it. The data is usually on its way to or from the disk drive or some other peripheral device.

BUS – The part of a chip, circuit board, or interface designed to send and receive data.

BYTE – The basic unit of computer memory, large enough to hold one character of alphanumeric data. Comprised of eight bits. See also bit.

C

CACHE – Random-access memory used as a buffer between the CPU and a hard disk. Information more likely to be read or changed is placed in the cache, where it can be accessed more quickly to speed up general data flow.

CAPACITY – The amount of information that can be stored on a disk drive. The data is stored in bytes, and capacity is usually expressed in megabytes.

CDB – Command Descriptor Block. The SCSI structure used to communicate requests from an initiator (system) to a target (drive).

CLEAN ROOM – An environmentally controlled dust-free assembly or repair facility in which hard disk drives are assembled or can be opened for internal servicing.

CLUSTER – A group of sectors on a disk drive that is addressed as one logical unit by the operating system.

CONTROLLER – Short form of *disk controller*. The chip or complete circuit that translates computer data and commands into a form suitable for use by the disk drive.

CONTROLLER CARD – An adapter holding the control electronics for one or more hard disks, usually installed in a slot in the computer.

CPU – Acronym for *Central Processing Unit*. The microprocessor chip that performs the

bulk of data processing in a computer.

CRC – Acronym for *Cyclic Redundancy Check*. An error detection code that is recorded within each sector and is used to see whether parts of a string of data are missing or erroneous.

CYLINDER – On a disk drive that has more than one recording surface and heads that move to various tracks, the group of all tracks located at a given head position. The number of cylinders times the number of heads equals the number of tracks per drive.

D

DATA SEPARATOR – On a disk drive that stores data and timing information in an encoded form, the circuit that extracts the data from the combined data and clock signal.

DEDICATED SERVO – A surface separate from the surface used for data that contains only disk timing and positioning information and contains no data.

DEFECT MANAGEMENT – A method that is implemented to ensure long term data integrity. Defect management eliminates the need for user defect maps. This is accomplished by scanning the disk drives at the factory for defective sectors. Defective sectors are deallocated prior to shipment. In addition, during regular use, the drive continues to scan and compensate for any new defective sectors on the disk.

DISK – In general, any circular-shaped data-storage medium that stores data on the flat surface of the platter. The most common type of disk is the magnetic disk, which stores data as magnetic patterns in a metal or metal-oxide coating. Magnetic disks come in two forms: floppy and hard. Optical recording is a newer disk technology that gives higher capacity storage but at slower access times.

DISK CONTROLLER – A plug-in board, or embedded circuitry on the drive, that passes information to and from the disk. The Maxtor disk drives all have controllers embedded on the drive printed-circuit board.

DISKWARE – The program instructions and data stored on the disk for use by a processor.

DMA – Acronym for *direct memory access*. A process by which data moves directly between a disk drive (or other device) and system memory without passing through the CPU, thus allowing the system to continue processing other tasks while the new data is being retrieved.

DRIVE – Short form of *disk drive*.

DRIVE GEOMETRY – The functional dimensions of a drive in terms of the number of heads, cylinders, and sectors per track. See also logical format.

E

ECC – Acronym for *error correction code*. The recording of extra verifying information encoded along with the disk data. The controller uses the extra information to check for data errors, and corrects the errors when possible.

EMBEDDED SERVO – A timing or location signal placed on the disk's surface on the tracks that also store data. These signals allow the actuator to fine-tune the position of the read/write heads.

ENCODING – The protocol by which particular data patterns are changed prior to being written on the disk surface as a pattern of On and Off or 1 and 0 signals.

EXTERNAL DRIVE – A drive mounted in an enclosure separate from the PC or computer system enclosure, with its own power supply and fan, and connected to the system by a cable.

FAT – Acronym for *file allocation table*. A data table stored on the outer edge of a disk that tells the operating system which sectors are allocated to each file and in what order.

FCI – Acronym for *flux changes per inch*. See also BPI.

FILE SERVER – A computer that provides network stations with controlled access to shareable resources. The network operating

system is loaded on the file server, and most shareable devices (disk subsystems, printers) are attached to it. The file server controls system security and monitors station-to-station communications. A dedicated file server can be used only as a file server while it is on the network. A non-dedicated file server can be used simultaneously as a file server and a workstation.

FLUX DENSITY – The number of magnetic field patterns that can be stored in a given length of disk surface. The number is usually stated as flux changes per inch (FCI), with typical values in the thousands.

FLYING HEIGHT – The distance between the read/write head and the disk surface caused by a cushion of air that keeps the head from contacting the media. Smaller flying heights permit more dense storage of data, but require more precise mechanical designs.

FORMAT – To write onto the disk surface a magnetic track pattern that specifies the locations of the tracks and sectors. This information must exist on a disk before it can store any user data. Formatting erases any previously stored data.

FORMATTED CAPACITY – The amount of room left to store data on the disk after the required space has been used to write sector headers, boundary definitions, and timing information generated by a format operation. All Maxtor drive capacities are expressed in formatted capacity.

FORM FACTOR – The physical outer dimensions of a device as defined by industry standard. For example, most Maxtor disk drives use a 3 1/2-inch form factor.

G

GIGABYTE (GB) – One billion bytes (one thousand megabytes).

GUIDE RAILS – Plastic strips attached to the sides of a disk drive mounted in an IBM AT and compatible computers so that the drive easily slides into place.

H

HALF HEIGHT – Term used to describe a drive that occupies half the vertical space of the original full size 5 1/4-inch drive. 1.625 inches high.

HARD DISK – A type of storage medium that retains data as magnetic patterns on a rigid disk, usually made of an iron oxide or alloy over a magnesium or aluminum platter. Because hard disks spin more rapidly than floppy disks, and the head flies closer to the disk, hard disks can transfer data faster and store more in the same volume.

HARD ERROR – A repeatable error in disk data that persists when the disk is reread, usually caused by defects in the media surface.

HEAD – The tiny electromagnetic coil and metal pole piece used to create and read back the magnetic patterns (write and read information) on the media.

HIGH-CAPACITY DRIVE – By industry conventions typically a drive of 1 gigabytes or more.

HIGH-LEVEL FORMATTING – Formatting performed by the operating system's format program. Among other things, the formatting program creates the root directory and file allocation tables. See also low-level formatting.

HOME – Reference position track for recalibration of the actuator, usually the outer track (track 0).

HOST ADAPTER – A plug-in board that forms the interface between a particular type of computer system bus and the disk drive.

I

INITIALIZE – See low level formatting.

INITIATOR – A SCSI device that requests another SCSI device to perform an operation. A common example of this is a system requesting data from a drive. The system is the initiator and the drive is the target.

INTERFACE – A hardware or software protocol, contained in the electronics of the disk controller and disk drive, that manages the exchange of data between the drive and computer.

INTERLEAVE – The arrangement of sectors on a track. A 1:1 interleave arranges the sectors so that the next sector arrives at the read/write heads just as the computer is ready to access it. See also interleave factor.

INTERLEAVE FACTOR – The number of sectors that pass beneath the read/write heads before the next numbered sector arrives. When the interleave factor is 3:1, a sector is read, two pass by, and then the next is read. It would take three revolutions of the disk to access a full track of data. Maxtor drives have an interleave of 1:1, so a full track of data can be accessed within one revolution of the disk, thus offering the highest data throughput possible.

INTERNAL DRIVE – A drive mounted inside one of a computer's drive bays (or a hard disk on a card, which is installed in one of the computer's slots).

J

JUMPER – A tiny box that slips over two pins that protrude from a circuit board. When in place, the jumper connects the pins electrically. Some board manufacturers use Dual In-Line Package (DIP) switches instead of jumpers.

K

KILOBYTE (Kb) – A unit of measure consisting of 1,024 (2^{10}) bytes.

L

LANDING ZONE – A position inside the disk's inner cylinder in a non data area reserved as a place to rest the heads during the time that power is off. Using this area prevents the heads from touching the surface in data areas upon power down, adding to the data integrity and reliability of the disk drive.

M

LATENCY – The period of time during which the read/write heads are waiting for the data to rotate into position so that it can be accessed. Based on a disk rotation speed of 3,662 rpm, the maximum latency time is 16.4 milliseconds, and the average latency time is 8.2 milliseconds.

LOGICAL FORMAT – The logical drive geometry that appears to an AT system BIOS as defined by the drive tables and stored in CMOS. With an installation program like Disk Manager, the drive can be redefined to any logical parameters necessary to adapt to the system drive tables.

LOOK AHEAD – The technique of buffering data into cache RAM by reading subsequent blocks in advance to anticipate the next request for data. The look ahead technique speeds up disk access of sequential blocks of data.

LOW-LEVEL FORMATTING – Formatting that creates the sectors on the platter surfaces so the operating system can access the required areas for generating the file structure. Maxtor drives are shipped with the low-level formatting already done.

LOW PROFILE – Describes drives built to the 3 1/2-inch form factor, which are only 1 inch high.

MB – See megabyte.

MEDIA – The magnetic film that is deposited or coated on an aluminum substrate which is very flat and in the shape of a disk. The media is overcoated with a lubricant to prevent damage to the heads or media during head take off and landing. The media is where the data is stored inside the disk in the form of magnetic flux or polarity changes.

MEGABYTE (MB) – A unit of measurement equal to 1,024 kilobytes, or 1,048,576 bytes except when referring to disk storage capacity.

1 MB = 1,000,000 bytes when referring to disk storage capacity.

See also kilobyte.

MEGAHERTZ – A measurement of frequency in millions of cycles per second.

MHz – See megahertz.

MICROPROCESSOR – The integrated circuit chip that performs the bulk of data processing and controls the operation of all of the parts of the system. A disk drive also contains a microprocessor to handle all of the internal functions of the drive and to support the embedded controller.

MICROSECOND (μs) – One millionth of a second (.000001 sec.).

MILLISECOND (ms) – One thousandth of a second (.001 sec.).

MTTF – MTTF is a basic measure of reliability for non-repairable systems. It is the mean time expected until the first failure of a piece of equipment. MTTF is a statistical value and is meant to be the mean over a long period of time and large number of units. For constant failure rate systems, MTTF is the inverse of the failure rate. If failure rate is in failures/million hours, $MTTF = 1,000,000 / \text{Failure Rate}$ for components with exponential distributions.

MTTR – Mean Time To Repair. The average time it takes to repair a drive that has failed for some reason. This only takes into consideration the changing of the major sub-assemblies such as circuit board or sealed housing. Component level repair is not included in this number as this type of repair is not performed in the field.

N

NANOSECOND (ns)– One billionth of a second (0.000000001 second).

O

OVERHEAD – The processing time of a command by the controller, host adapter or drive prior to any actual disk accesses taking place.

OVERWRITE – To write data on top of existing data, erasing it.

OXIDE – A metal-oxygen compound. Most magnetic coatings are combinations of iron or other metal oxides, and the term has become a general one for the magnetic coating on tape or disk.

P

PARTITION – A portion of a hard disk devoted to a particular operating system and accessed as one logical volume by the system.

PERFORMANCE – A measure of the speed of the drive during normal operation. Factors affecting performance are seek times, transfer rate and command overhead.

PERIPHERAL – A device added to a system as an enhancement to the basic CPU, such as a disk drive, tape drive or printer.

PHYSICAL FORMAT – The actual physical layout of cylinders, tracks, and sectors on a disk drive.

PLATED MEDIA – Disks that are covered with a hard metal alloy instead of an iron-oxide compound. Plated disks can store greater amounts of data in the same area as a coated disk.

PLATTER – An disk made of metal (or other rigid material) that is mounted inside a fixed disk drive. Most drives use more than one platter mounted on a single spindle (shaft) to provide more data storage surfaces in a small package. The platter is coated with a magnetic material that is used to store data as transitions of magnetic polarity.

POH – Acronym for *power on hours*. The unit of measurement for Mean Time Between Failure as expressed in the number of hours that power is applied to the device regardless of the amount of actual data transfer usage. See MTBF.

POSITIONER – See actuator.

R

REDUNDANT ARRAY OF INDEPENDENT DISKS (RAID) – is a way of storing the same data in different places (thus, redundantly) on multiple hard disks. By placing data on multiple disks, I/O operations can overlap in a balanced way, improving performance. Since multiple disks increases the mean time between failure (MTBF), storing data redundantly also increases fault-tolerance.

A RAID appears to the operating system to be a single logical hard disk. RAID employs the technique of *striping*, which involves partitioning each drive's storage space into units ranging from a sector (512 bytes) up to several megabytes. The stripes of all the disks are interleaved and addressed in order.

RAID – See redundant array of independent disks

RAM – Acronym for *random access memory*. An integrated circuit memory chip which allows information to be stored and retrieved by a microprocessor or controller. The information may be stored and retrieved in any order desired, and the address of one storage location is as readily accessible as any other.

RAM DISK – A “phantom disk drive” for which a section of system memory (RAM) is set aside to hold data, just as if it were a number of disk sectors. The access to this data is extremely fast but is lost when the system is reset or turned off.

READ AFTER WRITE – A mode of operation that has the computer read back each sector on the disk, checking that the data read back is the same as recorded. This slows disk operations, but raises reliability.

READ VERIFY – A disk mode where the disk reads in data to the controller, but the controller only checks for errors and does not pass the data on to the system.

READ/WRITE HEAD – The tiny electromagnetic coil and metal pole piece used to create and read back the magnetic patterns (write or read information) on the disk. Each side of each platter has its own read/write head.

REMOVABLE DISK – Generally said of disk drives where the disk itself is meant to be removed, and in particular of hard disks using disks mounted in cartridges. Their advantage is that multiple disks can be used to increase the amount of stored material, and that once removed, the disk can be stored away to prevent unauthorized use.

RLL – Run Length Limited. A method used on some hard disks to encode data into magnetic pulses. RLL requires more processing, but stores almost 50% more data per disk than the MFM method.

ROM – Acronym for *read only memory*. Usually in the form of an ROM in the controller that contains programs that can be accessed and read but not modified by the system.

ROTARY ACTUATOR – The rotary actuator replaces the stepper motor used in the past by many hard disk manufacturers. The rotary actuator is perfectly balanced and rotates around a single pivot point. It allows closed-loop feedback positioning of the heads, which is more accurate than stepper motors.

ROTATIONAL LATENCY – The delay between when the controller starts looking for a specific block of data on a track and when that block rotates around to where it can be read by the read/write head. On the average, it is half of the time needed for a full rotation (about 8 ms.).

S

SCSI – Acronym for *Small Computer System Interface*, an American National Standards Institute (ANSI) version of Shugart Associates' SASI interface between the computer and controller. SCSI has grown in popularity and is one of the most flexible and intelligent interfaces available.

SECTOR – A section of space along a track on the disk, or the data that is stored in that section. Hard disks most often have sectors that are 512 data bytes long plus several bytes overhead for error correcting codes. Each sector is preceded by ID data known as a header, which cannot be overwritten.

SEEK – A movement of the disk read/write head in or out to a specific track.

SERVO DATA – Magnetic markings written on the media that guide the read/write heads to the proper position.

SERVO SURFACE – A separate surface containing only positioning and disk timing information but no data.

SETTLE TIME – The interval between when a track to track movement of the head stops, and when the residual vibration and movement dies down to a level sufficient for reliable reading or writing.

SHOCK RATING – A rating (expressed in Gs) of how much shock a disk drive can sustain without damage.

SOFT ERROR – An error in reading data from the disk that does not recur if the same data is reread. Often caused by power fluctuations or noise spikes.

SOFT SECTORED – Disks that mark the beginning of each sector of data within a track by a magnetic pattern.

SPINDLE – The center shaft of the disk upon which the drive's platters are mounted.

SPUTTER – A type of coating process used to apply the magnetic coating to some high-performance disks. In sputtering, the disks are placed in a vacuum chamber and the coating is vaporized and deposited on the disks. The resulting surface is hard, smooth, and capable of storing data at high density. Maxtor disk drives use sputtered thin film disks.

STEPPER – A type of motor that moves in discrete amounts for each input electrical pulse. Stepper motors used to be widely used for read/write head positioner, since they can be geared to move the head one track per step. Stepper motors are not as fast or reliable as the rotary voice coil actuators which Maxtor disk drives use.

SUBSTRATE – The material the disk platter is made of beneath the magnetic coating. Hard disks are generally made of aluminum or magnesium alloy (or glass, for optical disks) while the substrate of floppies is usually mylar.

SURFACE – The top or bottom side of the platter which is coated with the magnetic material for recording data. On some drives one surface may be reserved for positioning information.

T

TERABYTE (TB) – A unit of measurement to 1,024 gigabytes (GB), or 1,099,511,627,776 bytes, except when referring to disk storage capacity. Storage capacities of one or more terabytes is achieved by installing multiple hard drive in a RAID system. 1 TB = 1,000,000,000,000 bytes when referring to disk storage capacity. See also gigabyte.

THIN FILM – A type of coating, used for disk surfaces. Thin film surfaces allow more bits to be stored per disk.

TPI – Acronym for *tracks per inch*. The number of tracks or cylinders that are written in each inch of travel across the surface of a disk.

TRACK – One of the many concentric magnetic circle patterns written on a disk surface as a guide to where to store and read the data.

TRACK DENSITY – How closely the tracks are packed on a disk surface. The number is specified as tracks per inch (TPI).

TRACK TO TRACK SEEK TIME – The time required for the read/write heads to move to an adjacent track.

TRANSFER RATE – The rate at which the disk sends and receives data from the controller. Drive specifications usually reference a high number that is the burst mode rate for transferring data across the interface from the disk buffer to system RAM. Sustained data transfer is at a much lower rate because of system processing overhead, head switches, and seeks.

U

Ultra DMA – (UDMA, or, more accurately, Ultra DMA/133) is a protocol for transferring data between a hard disk drive through the computer's data paths (or bus) to the computer's random access memory (RAM). The Ultra DMA/133 protocol transfers data in burst mode at a rate of 133 MBps (megabytes per second), twice as fast as the previous Direct Memory Access (DMA) interface.

UNFORMATTED CAPACITY – The total number of bytes of data that could be fit onto a disk. Formatting the disk requires some of this space to record location, boundary definitions, and timing information. After formatting, user data can be stored on the remaining disk space, known as formatted capacity. The size of a Maxtor drive is expressed in formatted capacity.

V

VOICE COIL – A type of motor used to move the disk read/write head in and out to the right track. Voice-coil actuators work like loudspeakers with the force of a magnetic coil causing a proportionate movement of the head. Maxtor's actuator uses voice-coil technology, and thereby eliminates the high stress wearing parts found on stepper motor type actuators.

W

WEDGE SERVO – The position on every track that contains data used by the closed loop positioning control. This information is used to fine tune the position of the read/write heads exactly over the track center.

WINCHESTER DISKS – Hard disks that use a technology similar to an IBM model using Winchester as the code name. These disks use read/write heads that ride just above the magnetic surface, held up by the air flow created by the turning disk. When the disk stops turning, the heads land on the surface, which has a specially lubricated coating. Winchester disks must be sealed and have a filtration system since ordinary dust particles are large enough to catch between the head and the disk.

WRITE ONCE – In the context of optical disks, technologies that allow the drive to store data on a disk and read it back, but not to erase it.

INDEX

A

abbreviations 1-2
automatic write reallocation 2-4
air filtration system 2-5
ATA bus interface and ATA commands,
5-1

C

cable Select option 2-6
cable select (CS) jumper 2-7
clearance 3-3
command descriptions 5-2
cylinder limitation jumper description 2-7

D

drive configuration 3-1

E

electrical interface 5-1
environmental limits 3-5
electrical characteristics 5-1

H

hard drive handling precautions 4-1

I

identify drive command parameters 5-5
installation 4-4
interface cable 2-5

J

jumper configurations 2-7
jumper locations 2-6

L

logical addressing addressing 2-3

M

mechanical dimensions 3-3
mounting 3-3
mounting dimensions 3-3
mounting holes 3-30

O

outline and mounting dimensions 3-3

P

packing assembly 4-2
packing materials 3-2
product specifications, 3-1
power requirements 3-4
physical dimensions 3-2
physical installation 4-4
product description 2-1
product specifications 3-1
performance specifications 3-2

R

regulatory compliance standards, 3-8
repacking 4-4

INDEX

S

sector address translations 2-3
shipping container 4-2,4-3
slave Present 2-5
slave present (SP) jumper 2-5
space requirements, 3-3
signal conventions 1-3
shock and vibration 3-6
signal cable and connector 5-1
service and support 6-1
supported commands 5-1

T

terminology and conventions, 1-2

U

unpacking and inspection, 4-2

V

ventilation, 2-5